

# CLUB Series SPEAKER SYSTEM/ SUBWOOFER

## SERVICE MANUAL



C112V



C115V



C112VA



C115VA



C215V



CW115V



CM10V



CM12V



CM15V



CW118V



CW218V

Use this manual for products with a serial number of 7 figures.  
(本マニュアルは、製造番号が7桁の商品でご使用ください。)  
An example of a serial number (製造番号例)  
NK01089  
7 figures (7桁)

### CONTENTS

|  |    |
|--|----|
| SPECIFICATIONS & DIMENSIONS .....                            | 3  |
| NETWORK .....  | 4  |
| WIRE HARNESS .....   | 10 |
| DISASSEMBLY PROCEDURE .....                                  | 11 |
| • C112V/C115V .....  | 11 |
| • C112VA/C115VA .....  | 14 |
| • C215V .....  | 16 |
| • CM10V .....  | 19 |
| • CM12V/CM15V .....  | 22 |
| • CW115V/CW118V .....  | 25 |
| • CW218V .....   | 28 |
| • C112VA/C115VA (分解手順) .....                                 | 30 |
| NEUTRIK NL4FC PLUG WIRING<br>(スピコンNEUTRIK NL4FCプラグの配線) ..... | 32 |
| PARTS LIST .....   |    |

PA 011868

S112VA: 200706 オープンブライス  
S115VA: 200706 オープンブライス

**YAMAHA**

HAMAMATSU, JAPAN

Copyright (c) Yamaha Corporation. All rights reserved. PDF 07.07

### **IMPORTANT NOTICE**

This manual has been provided for the use of authorized Yamaha Retailers and their service personnel. It has been assumed that basic service procedures inherent to the industry, and more specifically Yamaha Products, are already known and understood by the users, and have therefore not been restated.

**WARNING :** Failure to follow appropriate service and safety procedures when servicing this product may result in personal injury, destruction of expensive components and failure of the product to perform as specified. For these reasons, we advise all Yamaha product owners that all service required should be performed by an authorized Yamaha Retailer or the appointed service representative.

**IMPORTANT :** This presentation or sale of this manual to any individual or firm does not constitute authorization certification, recognition of any applicable technical capabilities, or establish a principal-agent relationship of any form.

The data provided is believed to be accurate and applicable to the unit(s) indicated on the cover. The research engineering, and service departments of Yamaha are continually striving to improve Yamaha products. Modifications are, therefore, inevitable and changes in specification are subject to change without notice or obligation to retrofit. Should any discrepancy appear to exist, please contact the distributor's Service Division.

**WARNING :** Static discharges can destroy expensive components. Discharge any static electricity your body may have accumulated by grounding yourself to the ground bus in the unit (heavy gauge black wires connect to this bus.)

**IMPORTANT :** Turn the unit OFF during disassembly and parts replacement. Recheck all work before you apply power to the unit.

### **WARNING: CHEMICAL CONTENT NOTICE!**

The solder used in the production of this product contains LEAD. In addition, other electrical/electronic and/or plastic (Where applicable) components may also contain traces of chemicals found by the California Health and Welfare Agency (and possibly other entities) to cause cancer and/or birth defects or other reproductive harm.

**DO NOT PLACE SOLDER, ELECTRICAL/ELECTRONIC OR PLASTIC COMPONENTS IN YOUR MOUTH FOR ANY REASON WHAT SO EVER!**

Avoid prolonged, unprotected contact between solder and your skin! When soldering, do not inhale solder fumes or expose eyes to solder/flux vapor!

If you come in contact with solder or components located inside the enclosure of this product, wash your hands before handling food.


### **Poly Switch**

All full-range loudspeakers are fitted with a self-resetting poly switch that protects the high-frequency driver from damage caused by excessive power.

If a loudspeaker cabinet loses high-frequency output, immediately remove power from the unit and wait for two to three minutes. They should allow the poly switch to reset. Re-apply power and check the performance of the high-frequency driver before continuing with the power reduced to a level that does not cause the poly switch to interrupt the signal.

On the CW115V/CW118V/CW218V sub woofer, the Poly Switch protects the woofer and a similar routine should be followed if its output is lost.

## **WARNING**

Components having special characteristics are marked  and must be replaced with parts having specification equal to those originally installed.

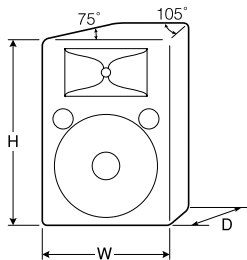


印の部品は、安全を維持するために重要な部品です。交換する場合は、安全のために必ず指定の部品をご使用ください。

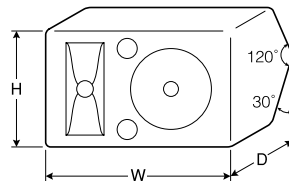
## SPECIFICATIONS & DIMENSIONS

| Model                  | CM10V  | C112V             | C112VA                 | CM12V  | C115V             | C115VA                 | CM15V  | C215V              |
|------------------------|--|-------------------|------------------------|--|-------------------|------------------------|--|--------------------|
| Enclosure              | Bass Reflex Type                               |                   |                        |  |                   |                        |  |                    |
| Speaker Unit           | LF   | 10" cone          | 12" cone               |  | 15" cone          |                        |  | 15" cone × 2       |
|                        | HF   | 1" V.C.driver     | 2" V.C.driver          |  |                   |                        |  |                    |
| Frequency Response     | 70Hz-20kHz                                     | 60Hz-16kHz        |                        |  | 55Hz-16kHz        |                        |  | 42Hz-16kHz         |
| Power Capacity         | NOISE*   | 125W              | 175W                   |  | 250W              |                        |  | 500W               |
|                        | PGM  | 250W              | 350W                   |  | 500W              |                        |  | 1000W              |
|                        | MAX  | 500W              | 700W                   |  | 1000W             |                        |  | 2000W              |
| Nominal Impedance      | 8Ω   |                   |                        |  |                   |                        |  | 4Ω                 |
| Sensitivity            | 96dB SPL (1W, 1m)                              | 97dB SPL (1W, 1m) |                        |  | 99dB SPL (1W, 1m) |                        |  | 99dB SPL (1W, 1m)  |
| Nominal Dispersion     | Horizontal                                     | 40°               | 90°                    | 90°  | 40°               | 90°                    | 90°  | 40°                |
|                        | Vertical                                       | 60°               | 40°                    | 40°  | 90°               | 40°                    | 40°  | 90°                |
| Crossover Frequency    | 1.8kHz   | 2kHz              |                        |  | 1.7kHz            |                        |  | 1.5kHz             |
| Input Connectors       | 1/4" Phone Jack × 2, Neutrik Speakon NL4MP × 2 |                   | Barrier Strip Terminal | 1/4" Phone Jack × 2, Neutrik Speakon NL4MP × 2 |                   | Barrier Strip Terminal | 1/4" Phone Jack × 2, Neutrik Speakon NL4MP × 2 |                    |
| Dimensions (W × H × D) | 556 × 349 × 273mm                              | 416 × 628 × 329mm | 416 × 620 × 329mm      | 628 × 410 × 339mm                              | 485 × 715 × 373mm | 485 × 707 × 373mm      | 715 × 479 × 339mm                              | 491 × 1163 × 593mm |
| Weight                 | 13.3Kg   | 21.3Kg            | 21.8Kg                 | 21.8Kg   | 30.3Kg            | 29.9Kg                 | 28.8Kg   | 47.5Kg             |
| Included Accessories   | —  | —                 | Eyebolt (3/8") 4       | —  | —                 | Eyebolt (3/8") 4       | —  | —                  |

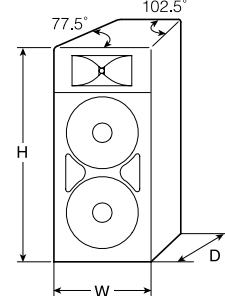
C112V/C112VA/C115V/C115VA



CM10V/CM12V/CM15V



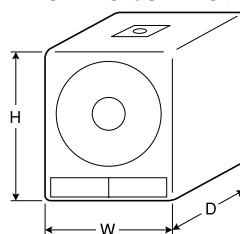
C215V



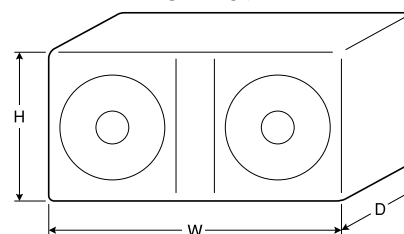
| Model                           | CW115V   | CW118V            | CW218V             |       |
|---------------------------------|--|-------------------|--------------------|-------|
| Enclosure                       | Bass Reflex Type                               |                   |                    |       |
| Speaker Unit                    | 15" cone                                       | 18" cone          | 18" cone × 2       |       |
| Frequency Response              | 35Hz-2kHz                                      | 30Hz-2kHz         |                    |       |
| Power Capacity                  | NOISE*   | 250W              | 300W               | 600W  |
|                                 | PGM  | 500W              | 600W               | 1200W |
|                                 | MAX  | 1000W             | 1200W              | 2400W |
| Nominal Impedance               | 8Ω   |                   | 4Ω                 |       |
| Sensitivity                     | 95dB SPL (1W, 1m)                              | 96dB SPL (1W, 1m) | 98dB SPL (1W, 1m)  |       |
| Recommended Crossover Frequency | 90Hz, 12dB/oct.                                |                   |                    |       |
| Input Connectors                | 1/4" Phone Jack × 2, Neutrik Speakon NL4MP × 2 |                   |                    |       |
| Dimensions (W × H × D)          | 500 × 607 × 528mm                              | 605 × 720 × 637mm | 1217 × 574 × 655mm |       |
| Weight                          | 28Kg   | 37.2Kg            | 64.7Kg             |       |

\*: EIA RS-426

CW115V/CW118V



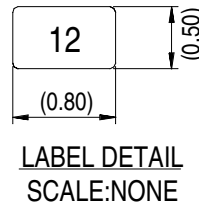
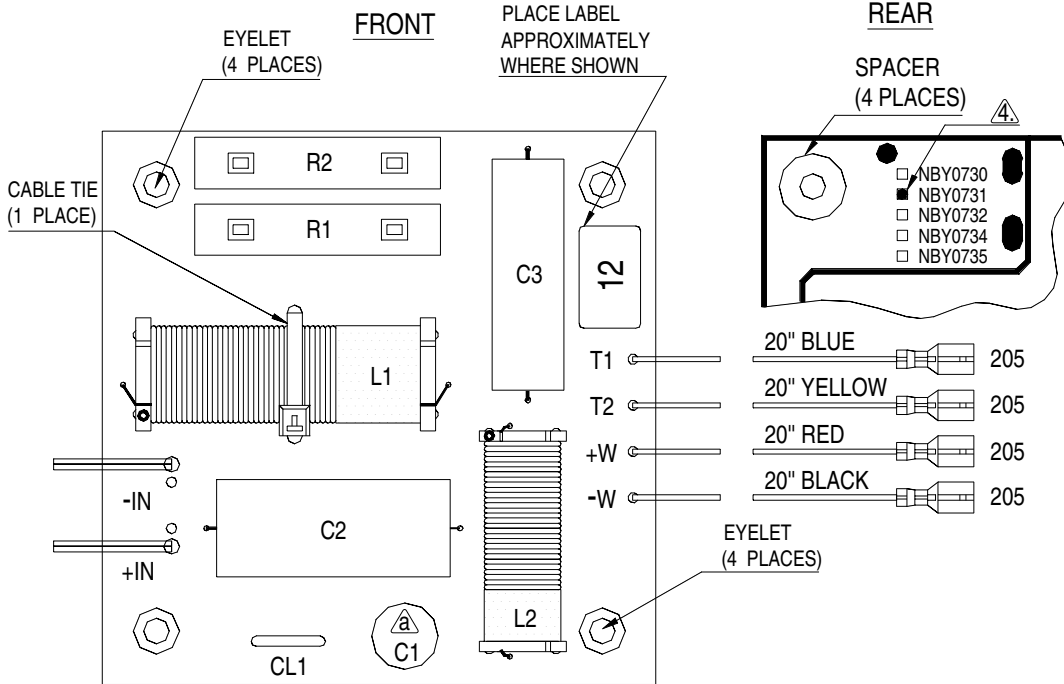
CW218V



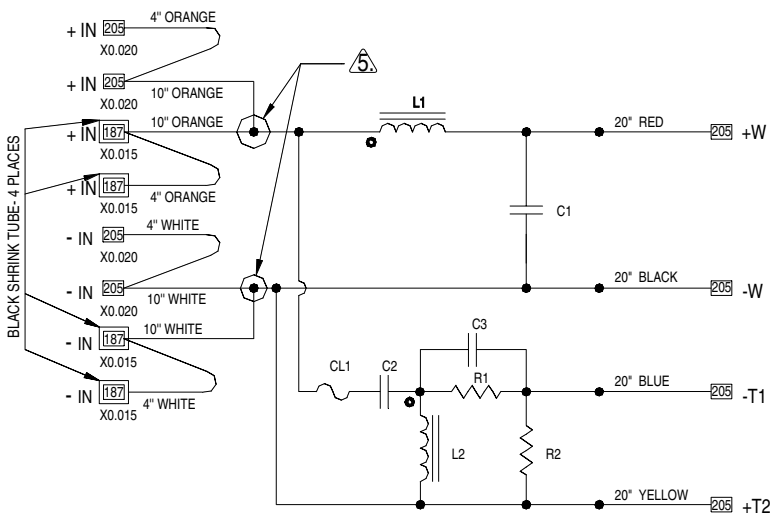
Unit: mm

**NETWORK**

**• C112V/CM12V (WJ367900)**

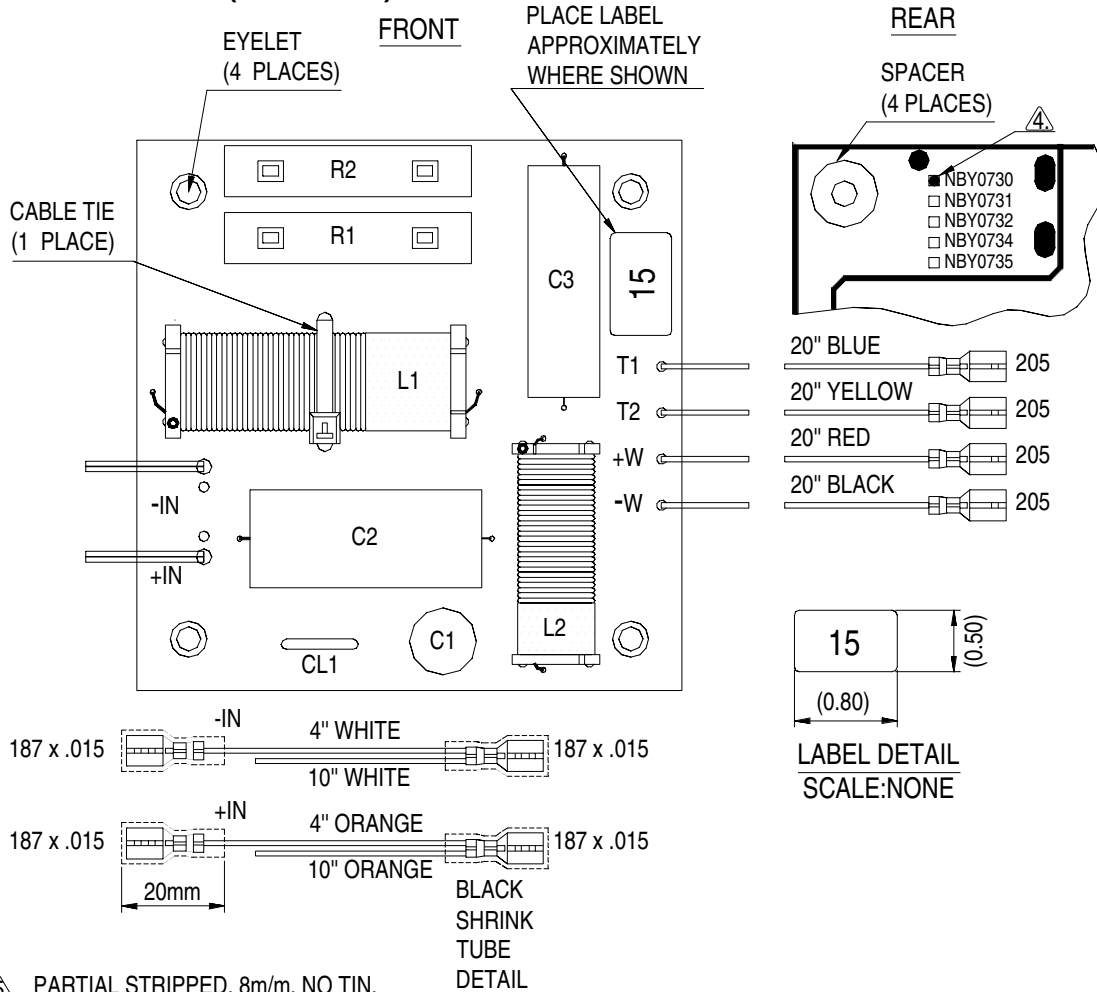


- ⚠ PARTIAL STRIPPED, 8m/m, NO TIN.
- ⚠ INDICATE MODEL BY A BLACK DOT.
- 3. APPLY RTV SEALANT UNDER C2,C3,L1,L2 AND HALF CIRCUMFERENCE AROUND C1.
- 2. "O" DENOTES START LEAD OF INDUCTOR.
- 1. ALL COMPONENTS TO BE TESTED AT 1 KHZ UNLESS OTHERWISE SPECIFIED.

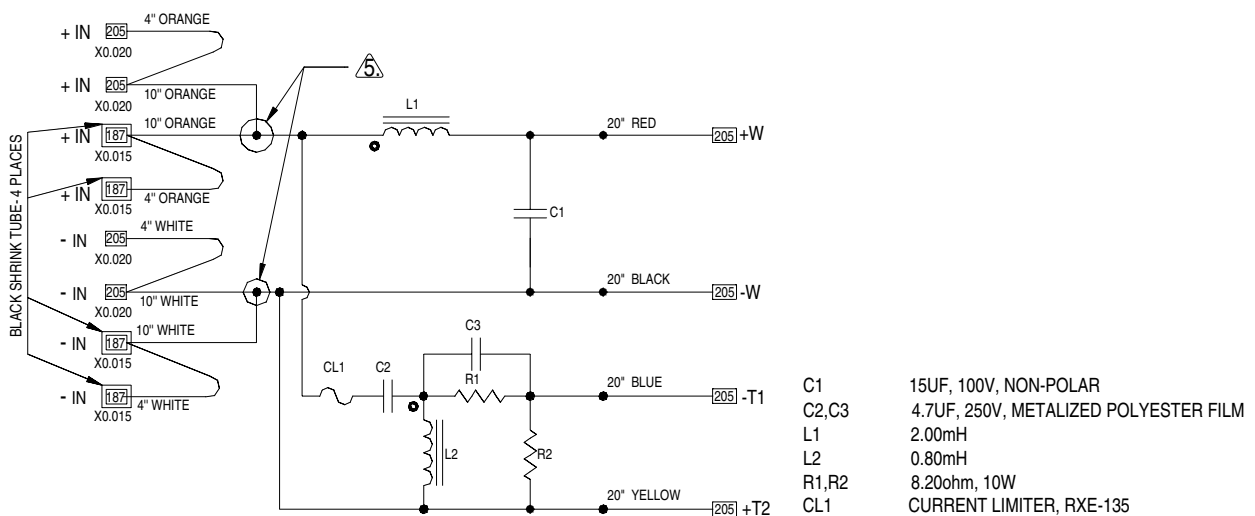


- C1 15UF, 100V, NON-POLAR
- C2,C3 4.7UF, 250V, METALIZED POLYESTER FILM
- L1 1.30mH, 57x9.5x10mm, LAMINATED STEEL I CORE
- L2 0.80mH, 41x6x7mm, LAMINATED STEEL I CORE
- R1,R2 5.00ohm, 10W
- CL1 CURRENT LIMITER, RXE-135

• **C115 V/CM15 V (WJ367800)**

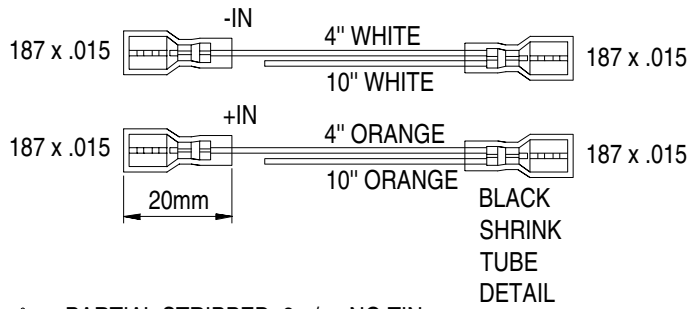
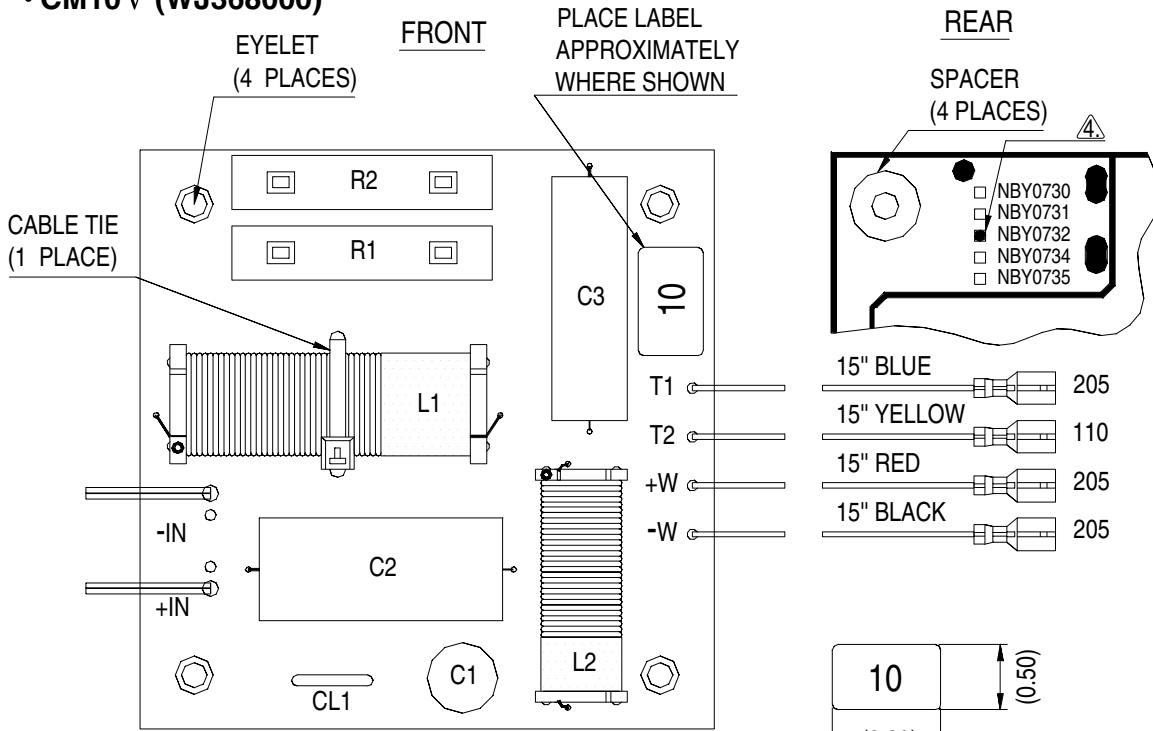


- ⚠ PARTIAL STRIPPED, 8m/m, NO TIN.
- ⚠ INDICATE MODEL BY A BLACK DOT.
3. APPLY RTV SEALANT UNDER C2,C3,L1,L2 AND HALF CIRCUMFERENCE AROUND C1.
  2. "O" DENOTES START LEAD OF INDUCTOR.
  1. ALL COMPONENTS TO BE TESTED AT 1 KHZ UNLESS OTHERWISE SPECIFIED.
- NOTES:



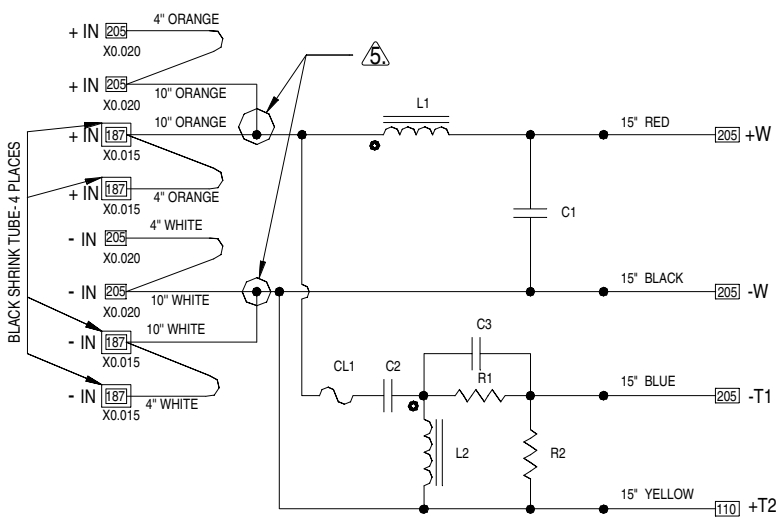
**CLUB Series  
SPEAKER SYSTEM/  
SUBWOOFER**

**• CM10 V (WJ368000)**



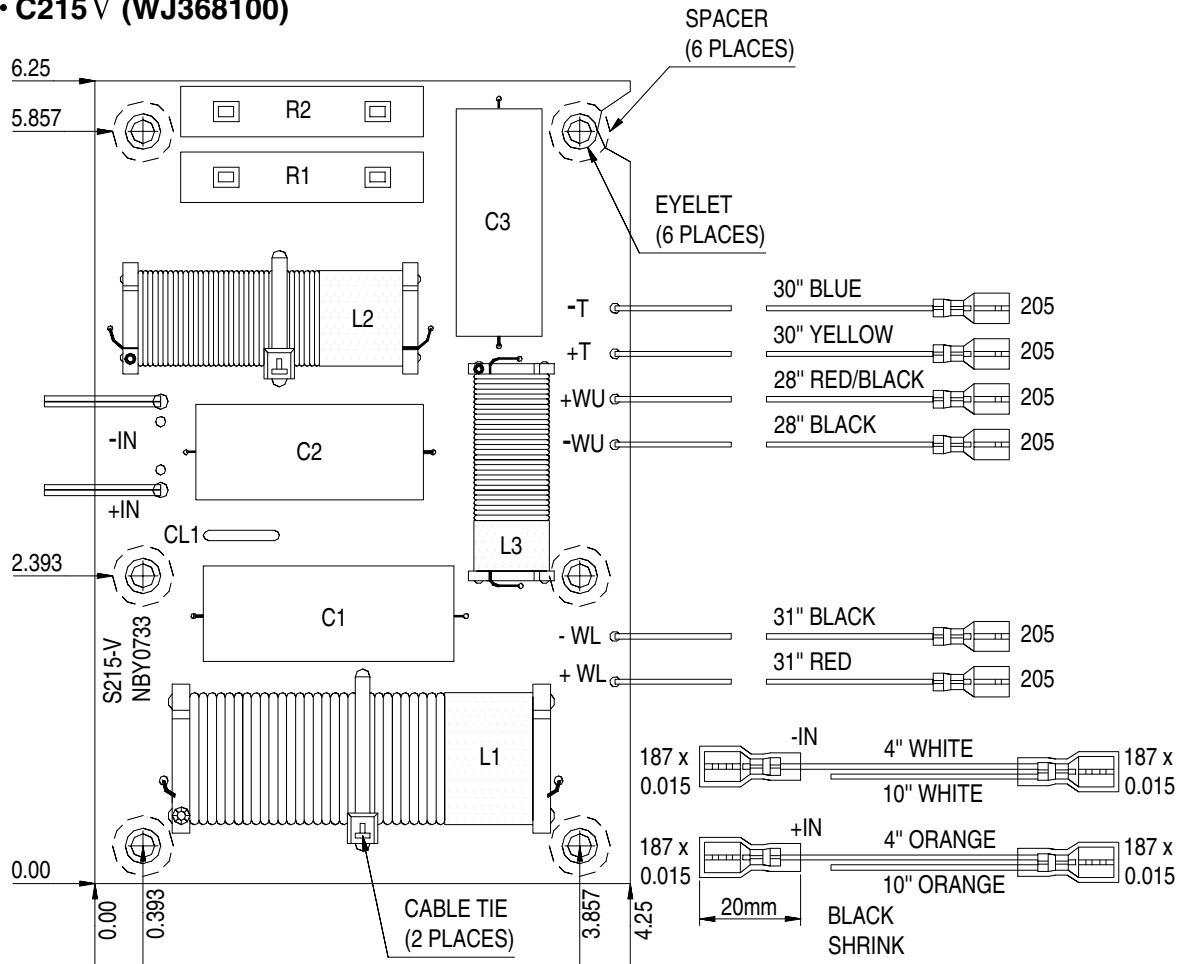
**LABEL DETAIL  
SCALE:NONE**

- ⚠ PARTIAL STRIPPED, 8m/m, NO TIN.
  - ⚠ MARK PC BOARD WITH A BLACK DOT TO INDICATE MODEL.
  - 3. APPLY RTV SEALANT UNDER C2,C3,L1,L2 AND HALF CIRCUMFERENCE AROUND C1.
  - 2. "O" DENOTES START LEAD OF INDUCTOR.
  - 1. ALL COMPONENTS TO BE TESTED AT 1 KHZ UNLESS OTHERWISE SPECIFIED.
- NOTES:



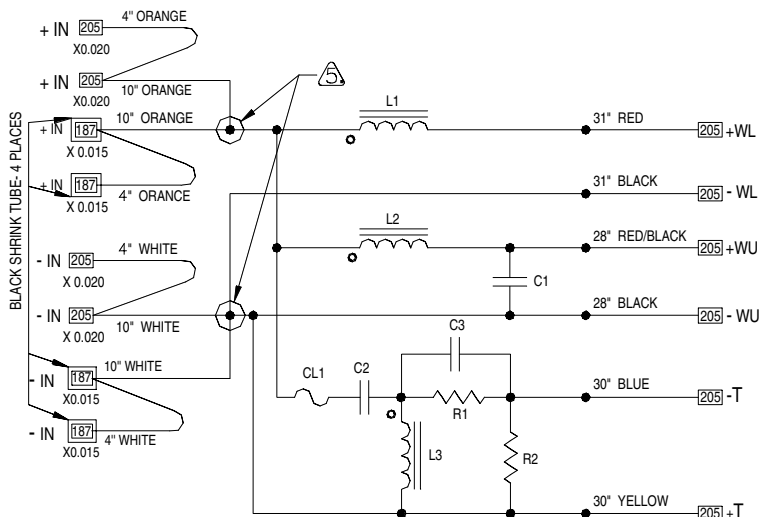
- C1 15UF, 100V, NON-POLAR
- C2 8UF, 250V, METALIZED POLYESTER FILM
- C3 4.7UF, 250V, METALIZED POLYESTER FILM
- L1 1.80mH, 57x9.5x10mm, LAMINATED STEEL I CORE
- L2 0.70mH, 41x6x7mm, LAMINATED STEEL I CORE
- R1 6.80ohm, 10W
- R2 3.90ohm, 10W
- CL1 CURRENT LIMITER, RXE-135

**• C215 V (WJ368100)**



1. APPLY RTV SEALANT UNDER C1,C2,C3,L1,L2, AND L3.
2. C1 & C3 STAND UP ON ONE SIDE. C2 LAYS DOWN FLAT.
3. "O" DENOTES START LEAD OF INDUCTOR.
4. ALL COMPONENTS TO BE TESTED AT 1 KHZ UNLESS OTHERWISE SPECIFIED.
5. PARTIAL STRIPPED, 8m/m, NO TIN.

**NOTES:**

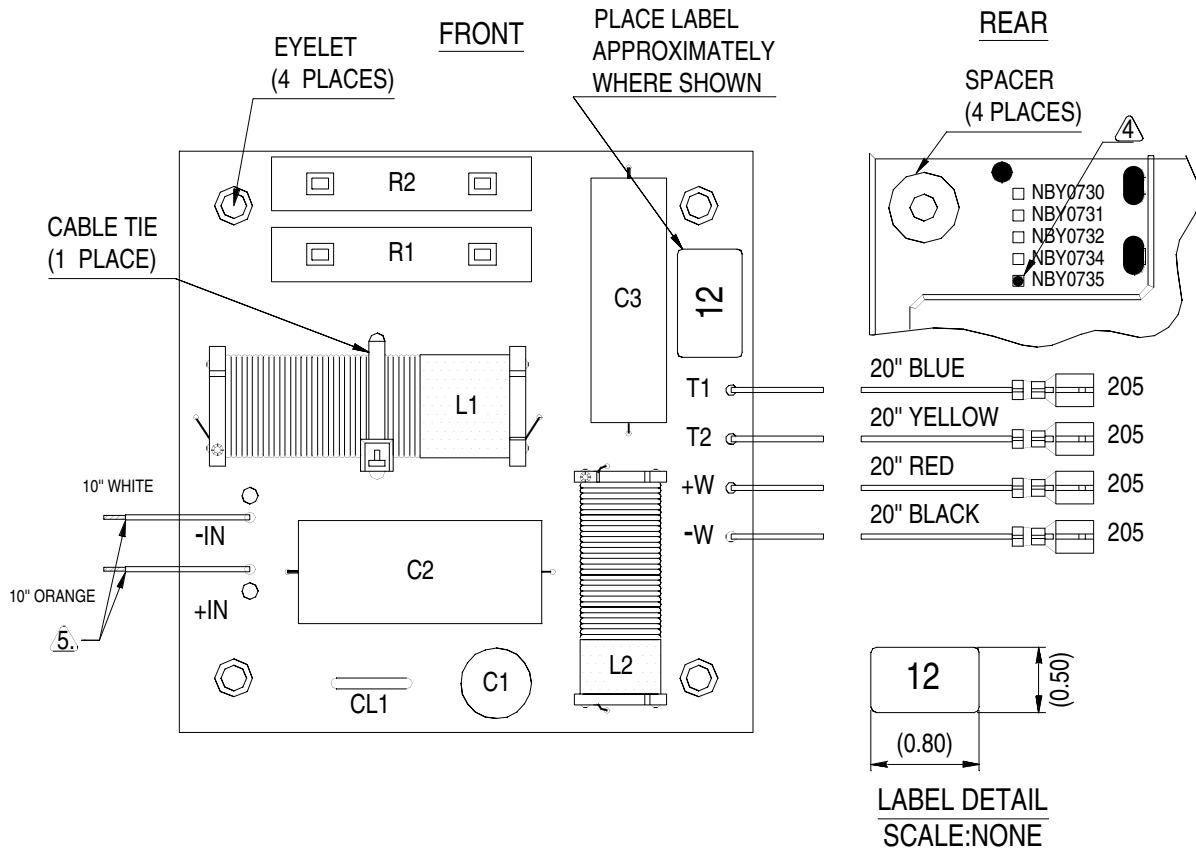


**PARTS LIST**

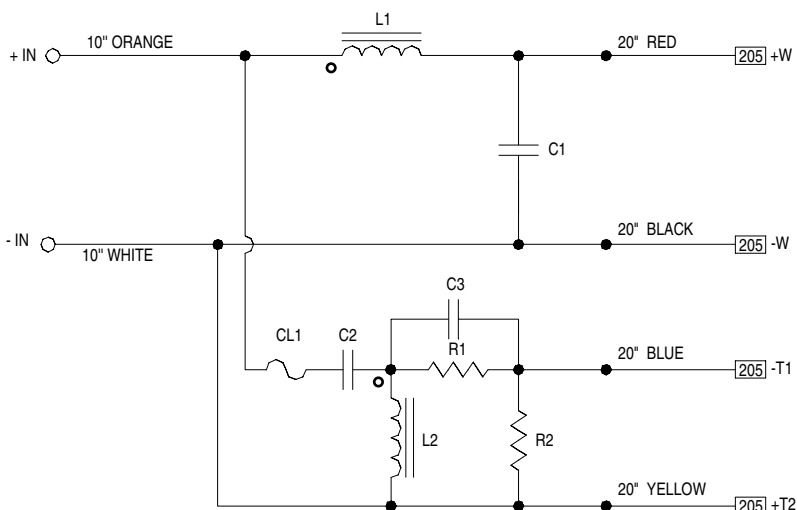
|     |   |
|-----|---|
| C1  | 15uF, 250V, METALIZED POLYESTER FILM        |
| C2  | 3.9uF, 250V, METALIZED POLYESTER FILM       |
| C3  | 10 uF, 250V, METALIZED POLYESTER FILM       |
| L1  | 5.00mH, 76x13x13mm, LAMINATED STEEL I CORE  |
| L2  | 2.00mH, 57x9.5x10mm, LAMINATED STEEL I CORE |
| L3  | 0.80mH, 41x6x7mm, LAMINATED STEEL I CORE    |
| R1  | 3.90ohm, 10W                                |
| R2  | 10.0ohm, 10W                                |
| CL1 | CURRENT LIMITER, RXE-135                    |

**CLUB Series  
SPEAKER SYSTEM/  
SUBWOOFER**

**• C112 VA (WJ368200)**



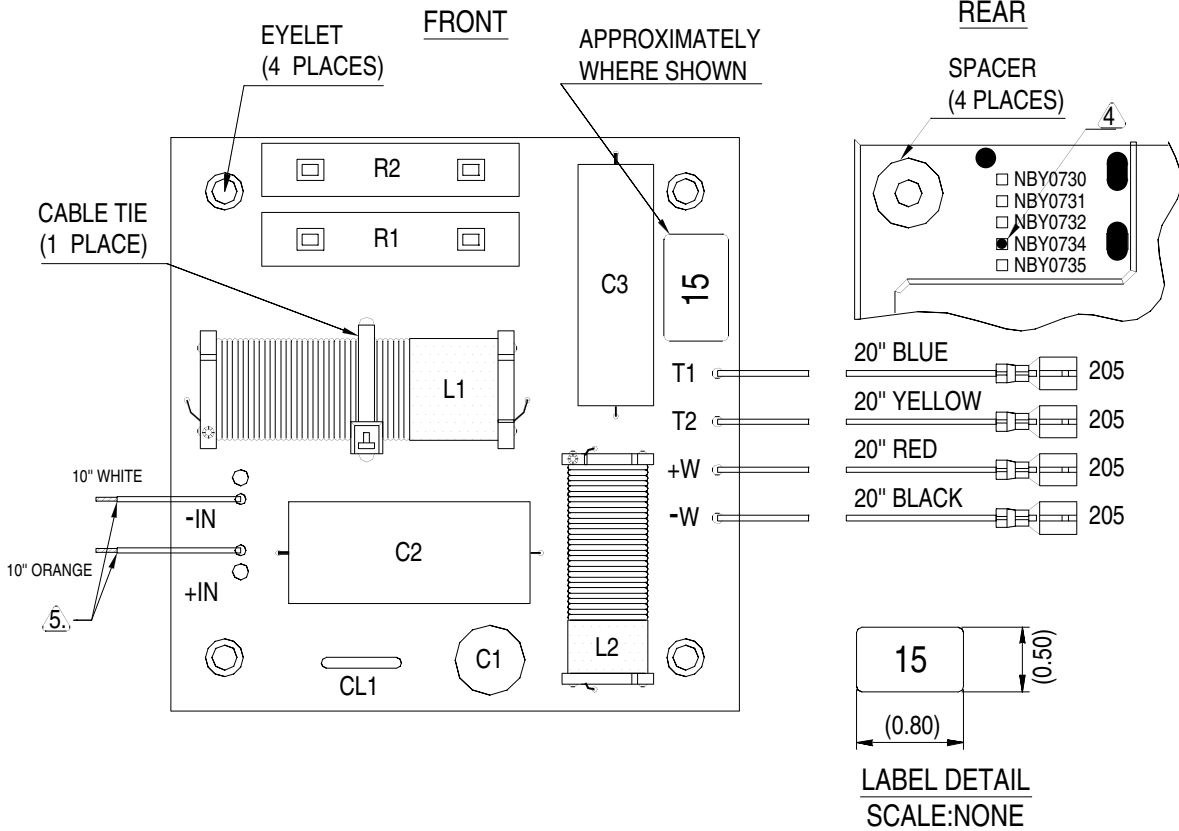
5. TINNED 10m/m
4. MARK PC BOARD WITH A BLACK DOT TO INDICATE MODEL.
3. APPLY RTV SEALANT UNDER C2,C3,L1,L2 AND HALF CIRCUMFERENCE AROUND C1.
2. "O" DENOTES START LEAD OF INDUCTOR.
1. ALL COMPONENTS TO BE TESTED AT 1 KHZ UNLESS OTHERWISE SPECIFIED.
- NOTES:



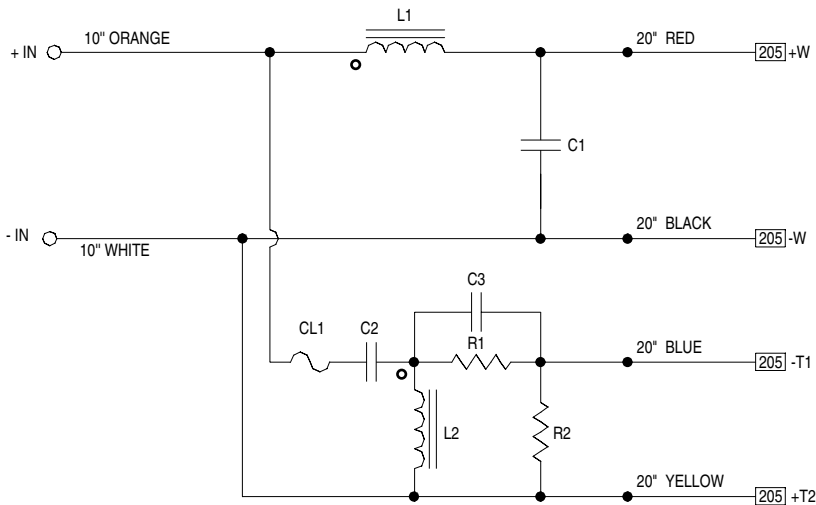
- C1 15UF, 100V, NON-POLAR
- C2,C3 4.7UF, 250V, METALIZED POLYESTER FILM
- L1 1.30mH, 57x9.5x10mm, LAMINATED STEEL I CORE
- L2 0.80mH, 41x6x7mm, LAMINATED STEEL I CORE
- R1,R2 5.00ohm, 10W
- CL1 CURRENT LIMITER, RXE-135



• **C115 VA (WJ368300)**



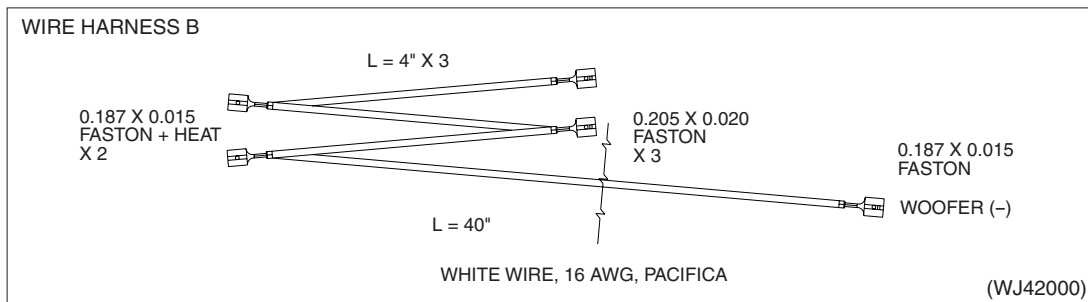
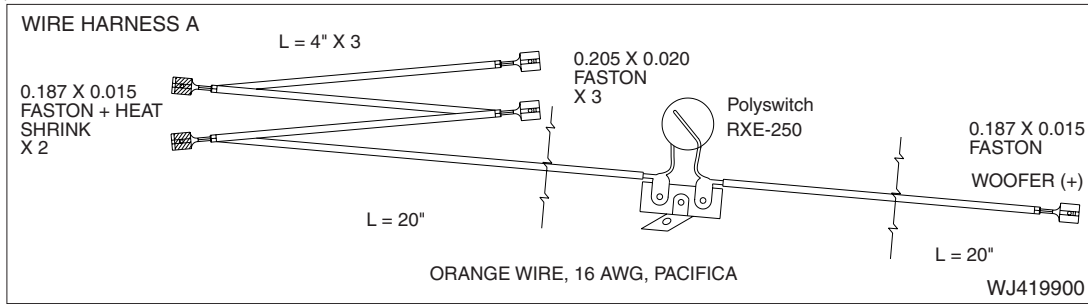
5. TINNED 10m/m
  4. MARK PC BOARD WITH A BLACK DOT TO INDICATE MODEL.
  3. APPLY RTV SEALANT UNDER C2,C3,L1,L2 AND HALF CIRCUMFERENCE AROUND C1.
  2. "O" DENOTES START LEAD OF INDUCTOR.
  1. ALL COMPONENTS TO BE TESTED AT 1 KHZ UNLESS OTHERWISE SPECIFIED.
- NOTES:



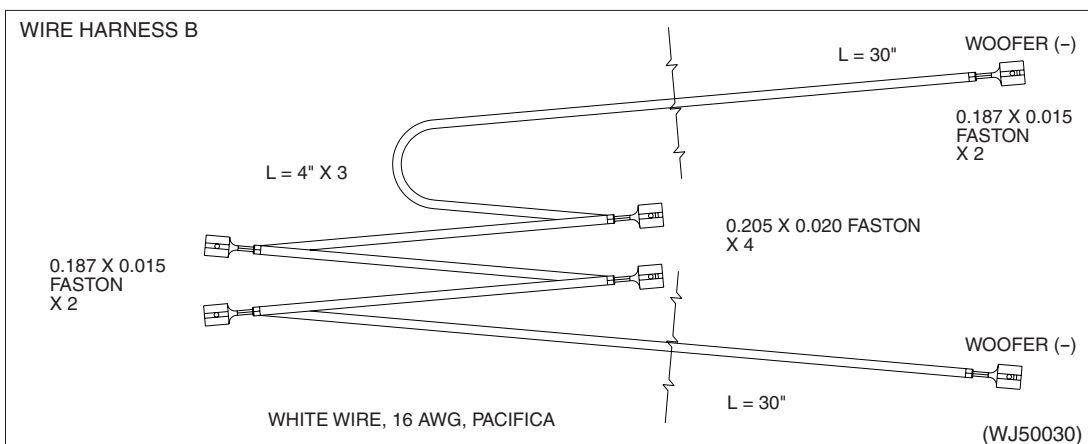
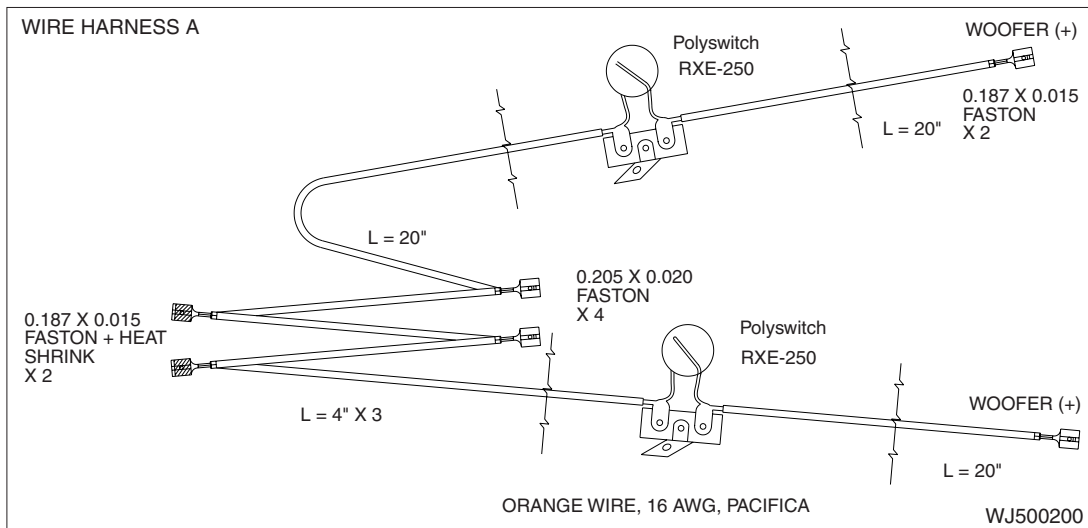
- |       |   |
|-------|---|
| C1    | 15UF, 100V, NON-POLAR                       |
| C2,C3 | 4.7UF, 250V, METALIZED POLYESTER FILM       |
| L1    | 2.00mH, 57x9.5x10mm, LAMINATED STEEL I CORE |
| L2    | 0.80mH, 41x6x7mm, LAMINATED STEEL I CORE    |
| R1,R2 | 8.20ohm, 10W                                |
| CL1   | CURRENT LIMITER, RXE-135                    |

**WIRE HARNESS**

• **CW115V, CW118V**



• **CW218V**



## ■ DISASSEMBLY PROCEDURE

### ● C112V/C115V

#### 1. Metal Handle (Time required: About 1 minute)

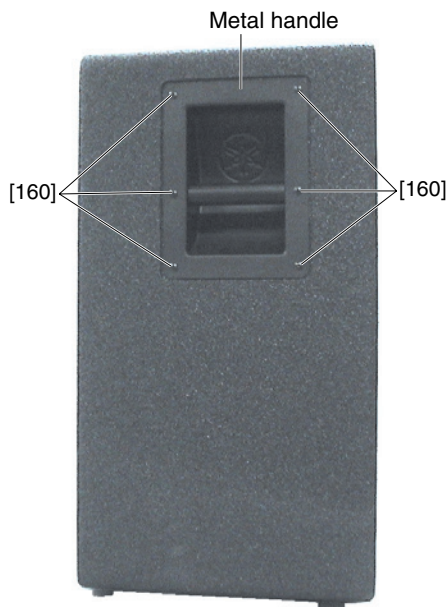
1-1 Remove the six (6) screws marked [160]. The metal handle can then be removed. (Photo 1)

#### 2. Pole Socket (Time required: About 1 minutes)

2-1 Remove the three (3) screws marked [130A]. The Pole Socket can then be removed. (Photo 2)

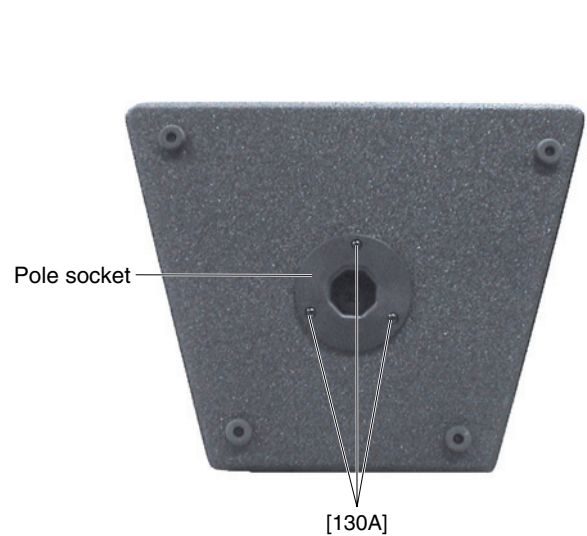
#### 3. Rubber Foot (Time required: About 1 minutes)

3-1 Remove the screw marked [10d]. The rubber foot can then be removed. (Photo 3)



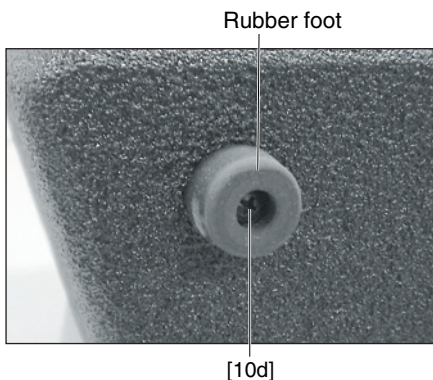
[160]: TH SMS Screw #8 x 3/4 BLACK (WJ911600)

Photo 1



[130]: Pan Head PB Screw #10 x 1 BLK (WJ911300)

Photo 2



[10d]: Pan Head PB Screw #10 x 1 BLK (WJ911300)

Photo 3

**CLUB Series  
SPEAKER SYSTEM/  
SUBWOOFER**

**4. Woofer (Time required: About 3 minutes)**

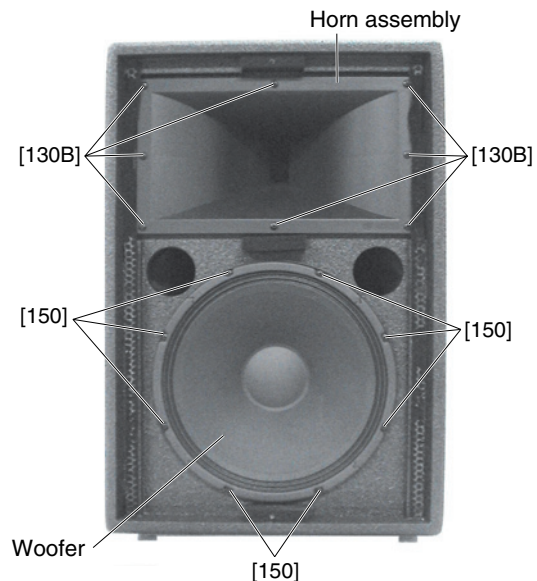
4-1 Remove the eight (8) screws marked [140A]. The Metal grille assembly can then be removed. (Photo 4)



[140]: TH Sheet Metal Screw #6 x 5/8 BLK (WJ493800)

Photo 4

4-2 Remove the eight (8) screws marked [150]. The woofer can then be removed. (Photo 5)



[130]: Pan Head PB Screw #10 x 1 BLK (WJ911300)

**C112V**

[150]: Pan Head PB Screw PHPBS #8 x 1 BLK (WJ911500)

**C115V**

[150]: Pan HD Machine Screw #10-32 x 1 BLK (WJ494200)

Photo 5

**5. Horn Assembly**

**(Time required: About 3 minutes)**

5-1 Remove the Metal grille assembly. (See procedure 4-1)

5-2 Remove the eight (8) screws marked [130B]. The horn assembly can then be removed. (Photo 5)

**5-3 Horn**

5-3-1 Remove the two (2) hex head mach screw marked [50c]. The horn can then be removed from the horn assembly. (Photo 7)

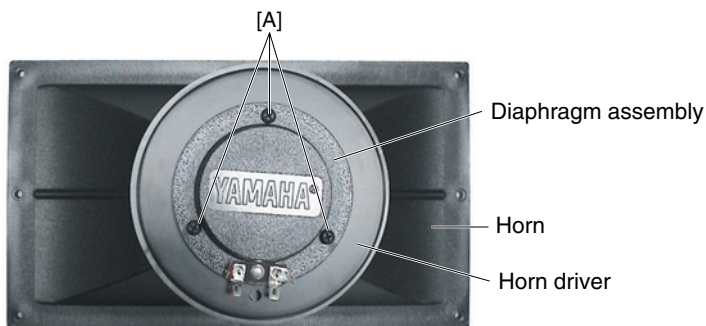
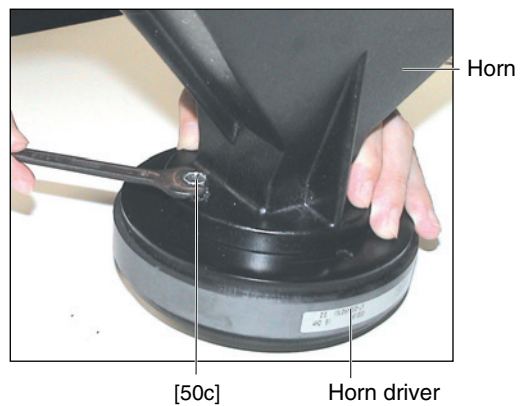


Photo 6

**5-4 Diaphragm Assembly**

5-4-1 Remove the three (3) screws marked [A]. The diaphragm assembly can then be removed from the horn driver. (Photo 6, 8)



[50c]: Hex Head Mach Screw 1/4 x 5/8 inch (WJ356300)

Photo 7

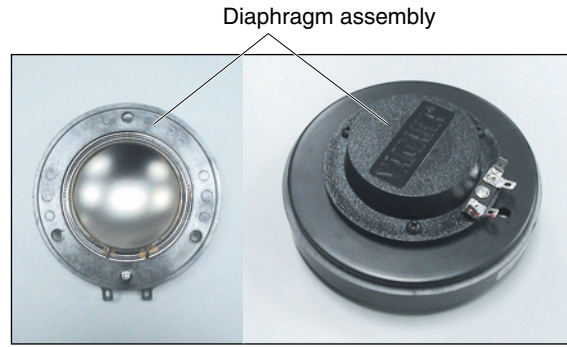
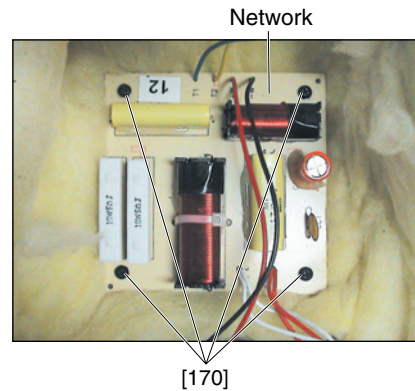


Photo 8

**6. Network (Time required: About 4 minutes)**

- 6-1 Remove the woofer. (See procedure 4)
- 6-2 Remove the four (4) screws marked [170]. The network can then be removed. (Photo 9)



[170]: Pan Head SM Screw PHSMS #6 x 3/4 BLK (WJ911700)

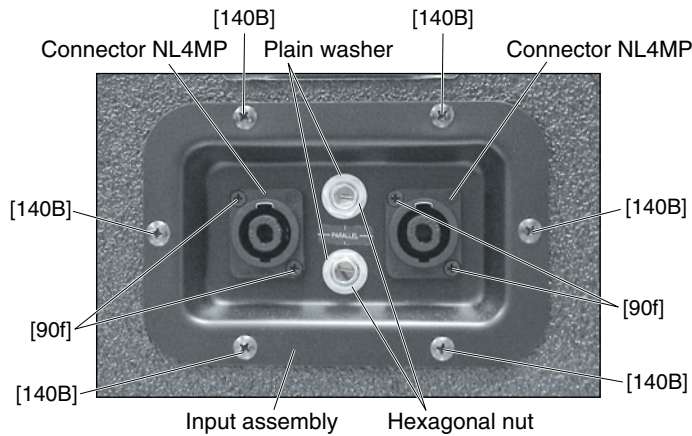
Photo 9

**7. Input Assembly**

(Time required: About 2 minutes)

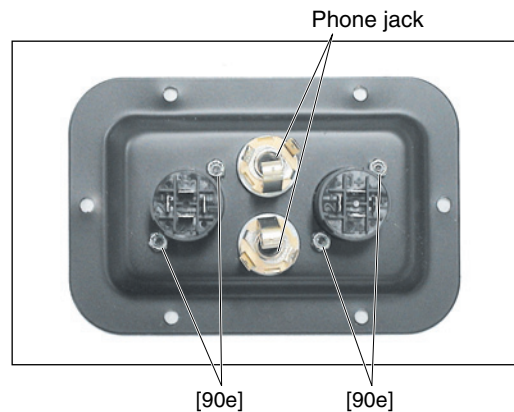
- 7-1 Remove the six (6) screws marked [140B]. The input assembly can then be removed. (Photo 10)
- 7-2 Remove the two (2) screws marked [90f] and the two (2) hexagonal nuts marked [90e]. The connector NL4MP can then be removed. (Photo 10, 11)

- 7-3 Remove the hexagonal nut. The plain washer and phone jack can then be removed. (Photo 10, 11)



[90f]: FH Machining Screw #4-40 x 3/8 ZN BL (WJ372100)  
[140]: TH Sheet Metal Screw #6 x 5/8 BLK (WJ493800)

Photo 10



[90e]: Hexagonal Nut #4-40 NYLOK NUT (WJ372000)

Photo 11

● **C112VA/C115VA**

**1. Woofer (Time required: About 3 minutes)**

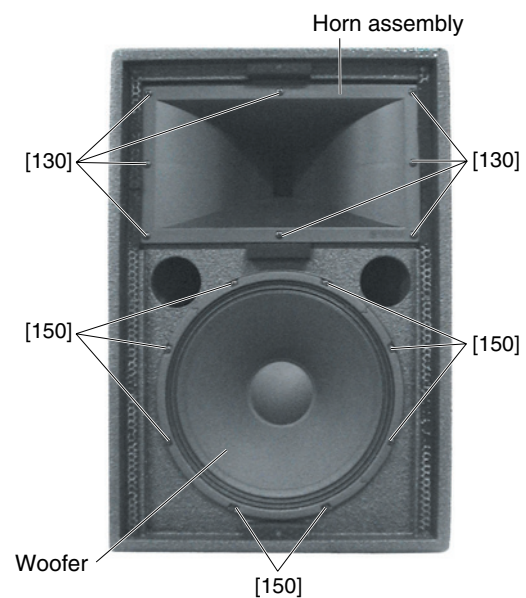
1-1 Remove the eight (8) screws marked [140A]. The metal grille assembly can then be removed. (Photo 1)



[140]: TH Sheet Metal Screw #6 x 5/8 BLK (WJ493800)

Photo 1

1-2 Remove the eight (8) screws marked [150]. The woofer can then be removed. (Photo 2)



[130]: Pan Head PB Screw #10 x 1 BLK (WJ911300)

**C112VA**

[150]: Pan Head PB Screw PHPBS #8 x 1 BLK (WJ911500)

**C115VA**

[150]: Pan HD Machine Screw #10-32 x 1 BLK (WJ494200)

Photo 2

**2. Horn Assembly**

**(Time required: About 3 minutes)**

2-1 Remove the metal grille assembly. (See procedure 1-1)

2-2 Remove the eight (8) screws marked [130]. The horn assembly can then be removed. (Photo 2)

**2-3 Horn**

2-3-1 Remove the two (2) hex head mach screw marked [50c]. The horn can then be removed from the horn assembly. (Photo 4)

**2-4 Diaphragm Assembly**

2-4-1 Remove the three (3) screws marked [A]. The diaphragm assembly can then be removed from the horn driver. (Photo 3, 5)

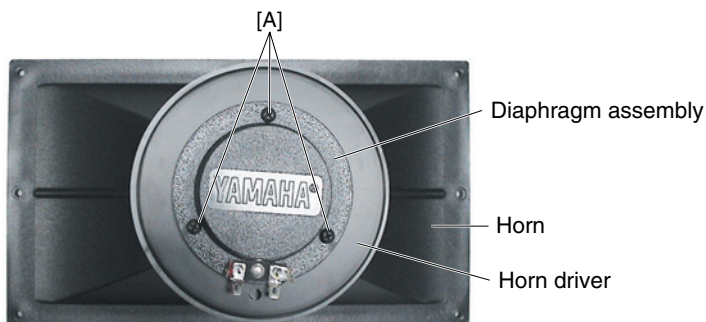
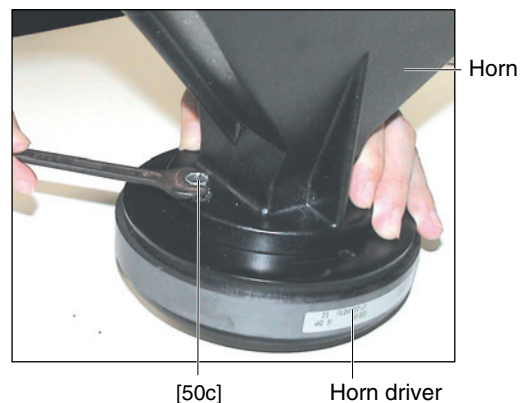


Photo 3



[50c]: Hex Head Mach Screw 1/4 x 5/8 inch (WJ356300)

Photo 4

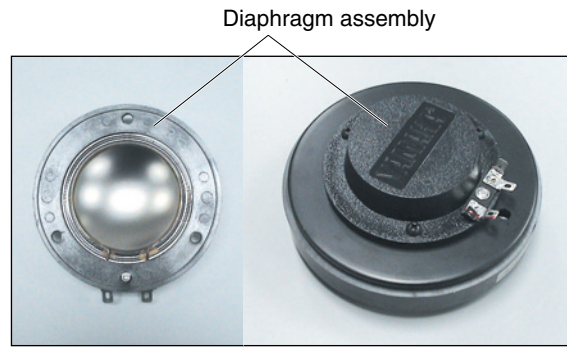
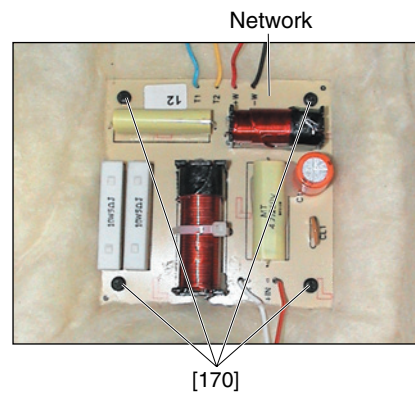


Photo 5

**3. Network (Time required: About 4 minutes)**

- 3-1 Remove the woofer. (See procedure 1)
- 3-2 Remove the four (4) screws marked [170]. The network can then be removed. (Photo 6)

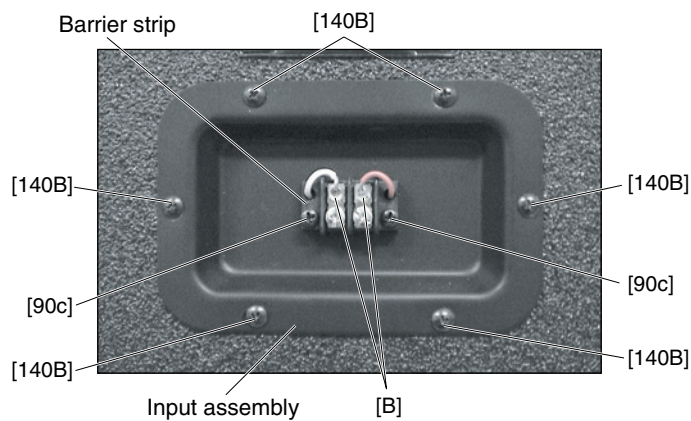


[170]: Pan Head SM Screw PHSMS #6 x 3/4 BLK (WJ911700)

Photo 6

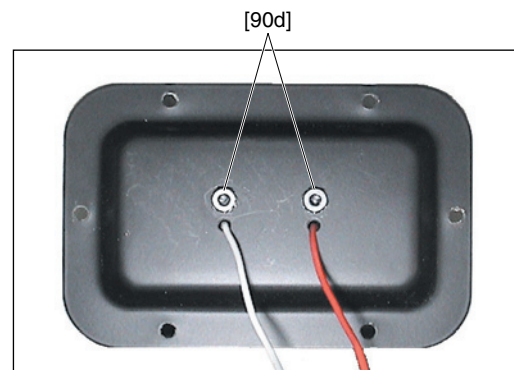
**4. Input Assembly (Time required: About 2 minutes)**

- 4-1 Remove the six (6) screws marked [140B]. The input assembly can then be removed. (Photo 7)
- 4-2 Remove the two (2) screws marked [90c], the two (2) keps nuts marked [90d] and the solder marked [B]. The barrier strip can then be removed. (Photo 7, 8)



[90c]: Pan HD Machine Screw PHMS #6-32 x 1/2 ZN BLK (WJ971600)  
[140]: TH Sheet Metal Screw #6 x 5/8 BLK (WJ493800)

Photo 7



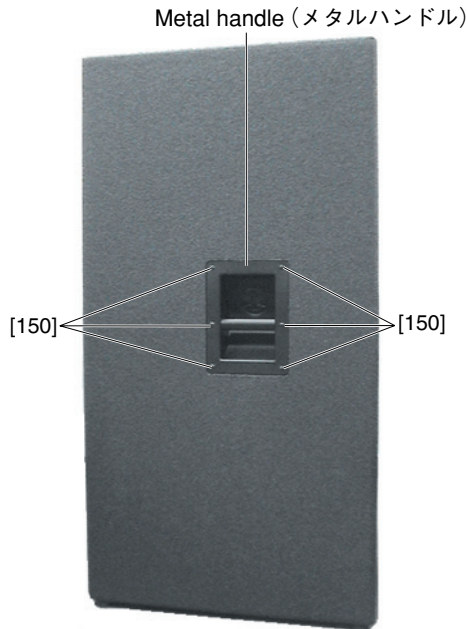
[90d]: Keps Nut #6-32 (WJ542400)

Photo 8

● **C215V**

**1. Metal Handle (Time required: About 1 minute)**

1-1 Remove the six (6) screws marked [150]. The metal handle can then be removed. (Photo 1)

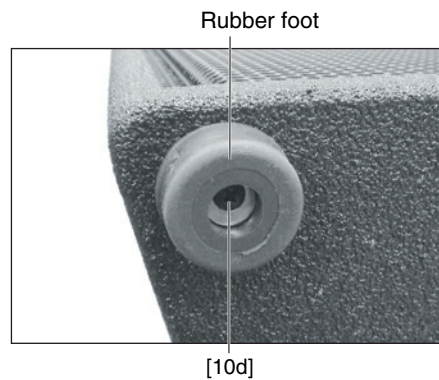


[150]: TH SMS Screw #8 x 3/4 BLACK (WJ911600)

Photo 1

**2. Rubber Foot (Time required: About 1 minutes)**

2-1 Remove the screw marked [10d]. The rubber foot can then be removed. (Photo 2)

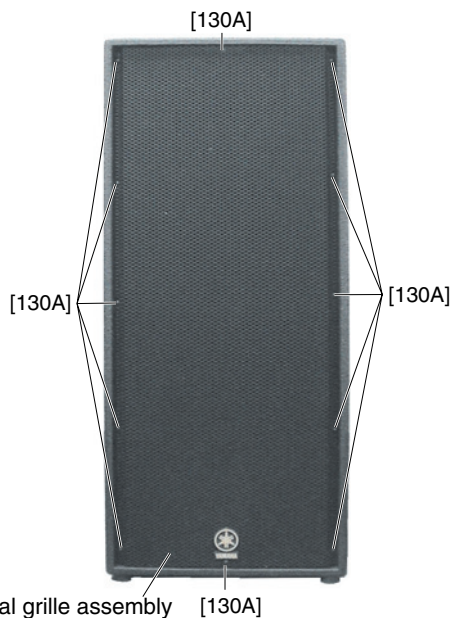


[10d]: Pan Head PB Screw #10 x 1 BLK (WJ911300)

Photo 2

**3. Woofer (Time required: About 5 minutes)**

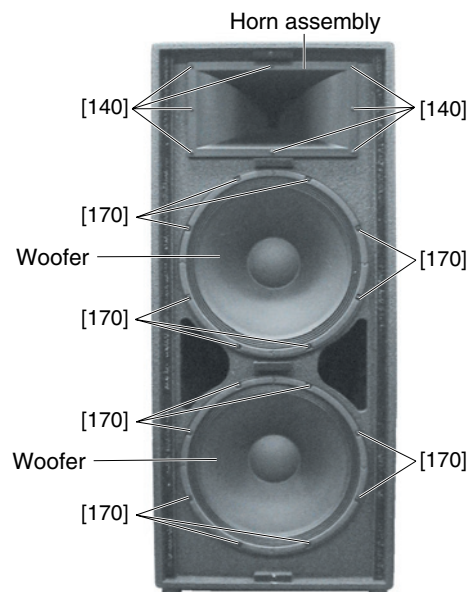
3-1 Remove the twelve (12) screws marked [130A]. The metal grille assembly can then be removed. (Photo 3)



[130]: TH Sheet Metal Screw #6 x 5/8 BLK (WJ493800)

Photo 3

3-2 Remove the eight (8) screws marked [170]. The woofer can then be removed. (Photo 4)



[140]: Pan HD Machine Screw #10-32 x 1 BLK (WJ494200)

[170]: Pan HD Machine Screw #10-32 x 1-1/2 (WJ624200)

Photo 4



#### **4. Horn Assembly**

**(Time required: About 3 minutes)**

4-1 Remove the metal grille assembly. (See procedure 3-1)

4-2 Remove the eight (8) screws marked [140]. The horn assembly can then be removed. (Photo 4)

##### **4-3 Horn**

4-3-1 Remove the two (2) hex head mach screw marked [50c]. The horn can then be removed from the horn assembly. (Photo 6)

##### **4-4 Diaphragm Assembly**

4-4-1 Remove the three (3) screws marked [A]. The diaphragm assembly can then be removed from the horn driver. (Photo 5, 7)

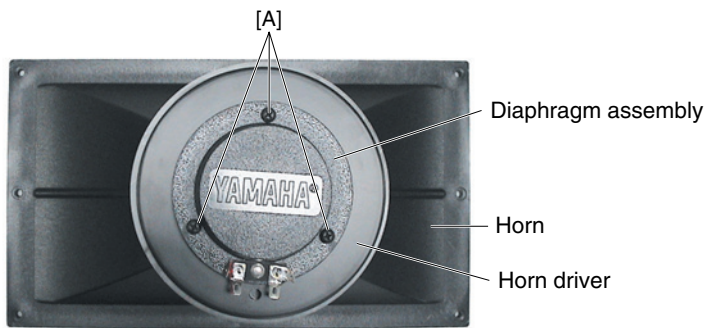
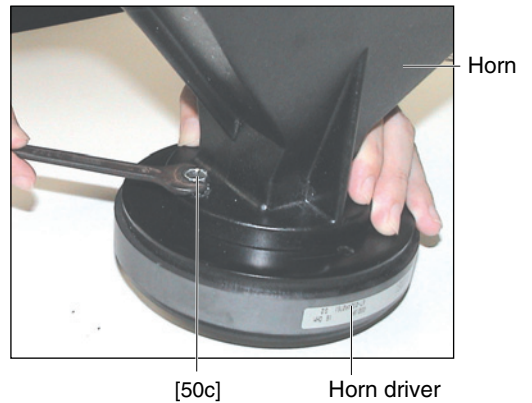


Photo 5



[50c]: Hex Head Mach Screw 1/4 x 5/8 inch (WJ356300)

Photo 6

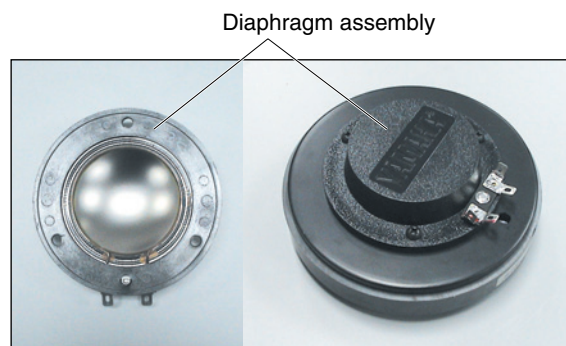
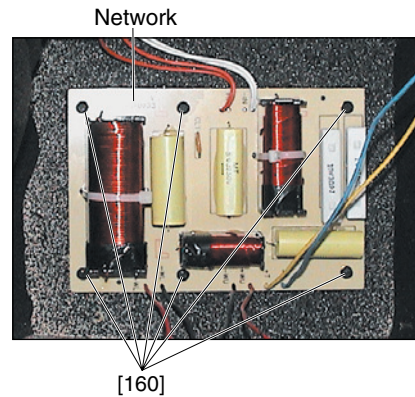


Photo 7

**5. Network (Time required: About 4 minutes)**

- 5-1 Remove the upper woofer. (See procedure 3)
- 5-2 Remove the six (6) screws marked [160]. The network can then be removed. (Photo 8)



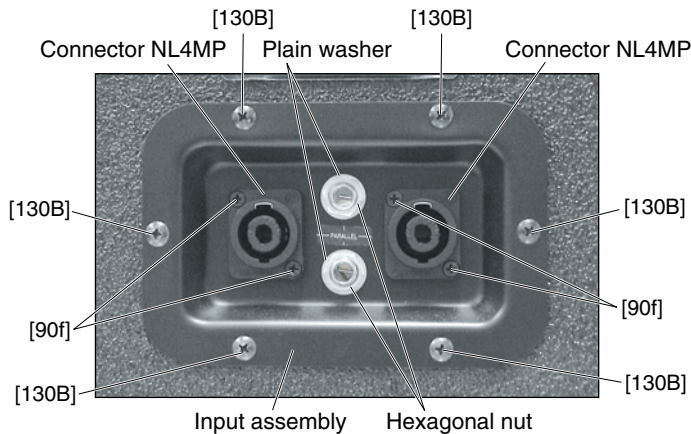
[160]: Pan Head SM Screw PHSMS #6 x 3/4 BLK (WJ911700)

Photo 8

**6. Input Assembly**

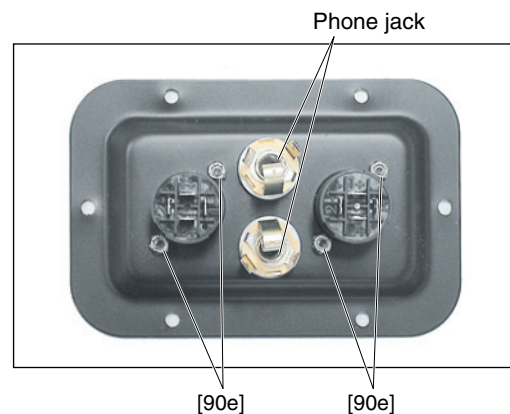
**(Time required: About 2 minutes)**

- 6-1 Remove the six (6) screws marked [130B]. The input assembly can then be removed. (Photo 9)
- 6-2 Remove the two (2) screws marked [90f] and the two (2) hexagonal nuts marked [90e]. The connector NL4MP can then be removed. (Photo 9, 10)
- 6-3 Remove the hexagonal nut. The plain washer and phone jack can then be removed. (Photo 9, 10)



[90f]: FH Machining Screw #4-40 x 3/8 ZN BL (WJ372100)  
[130]: TH Sheet Metal Screw #6 x 5/8 BLK (WJ493800)

Photo 9



[90e]: Hexagonal Nut #4-40 NYLOK NUT (WJ372000)

Photo 10

● **CM10V**

**1. Handle Assembly**

(Time required: About 1 minute)

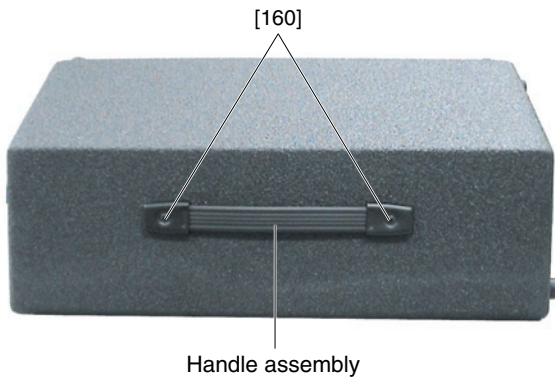
- 1-1 Remove the two (2) screws marked [160]. The handle assembly can then be removed. (Photo 1)

**2. Pole Socket (Time required: About 1 minutes)**

- 2-1 Remove the three (3) screws marked [130]. The pole socket can then be removed. (Photo 2)

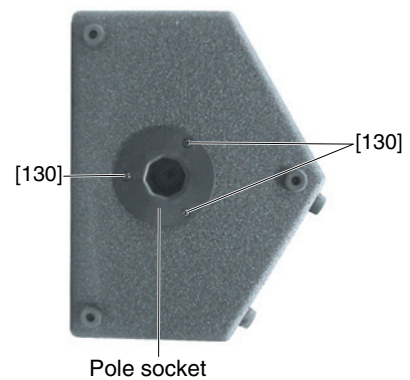
**3. Rubber Foot (Time required: About 1 minutes)**

- 3-1 Remove the screw marked [10d]. The rubber foot can then be removed. (Photo 3)



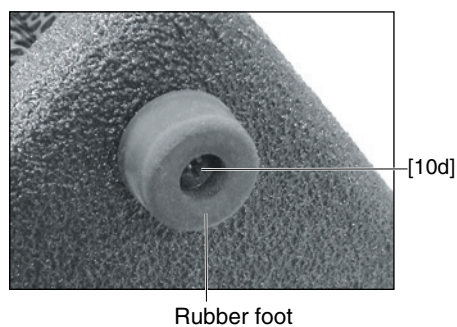
[160]: OH Machine Screw OHMS #10-32 x 1-1/4 BL (WJ911800)

Photo 1



[130]: Pan Head PB Screw #10 x 1 BLK (WJ911300)

Photo 2



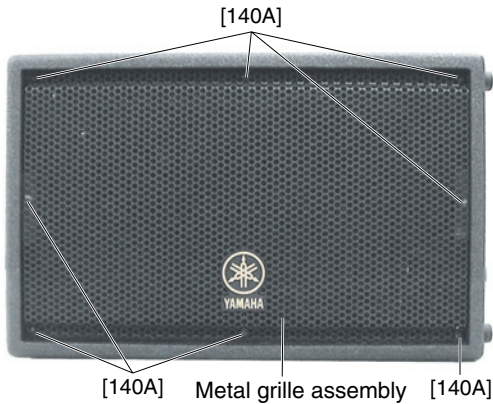
[10d]: Pan Head PB Screw #10 x 1 BLK (WJ911300)

Photo 3

**CLUB Series  
SPEAKER SYSTEM/  
SUBWOOFER**

**4. Woofer (Time required: About 3 minutes)**

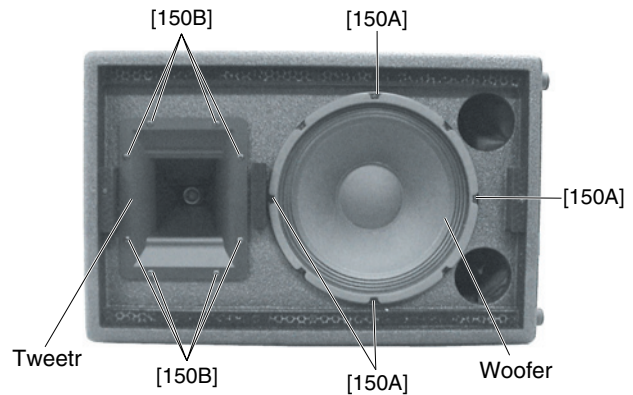
4-1 Remove the eight (8) screws marked [140A]. The metal grille assembly can then be removed. (Photo 4)



[140]: TH Sheet Metal Screw #6 x 5/8 BLK (WJ493800)

Photo 4

4-2 Remove the four (4) screws marked [150A]. The woofer can then be removed. (Photo 5)



[150]: Pan Head PB Screw PHPBS #8 x 1 BLK (WJ911500)

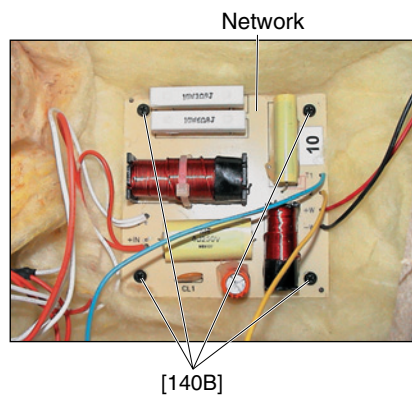
Photo 5

**5. Tweeter (Time required: About 3 minutes)**

5-1 Remove the metal grille assembly. (See procedure 4-1)  
5-2 Remove the eight (8) screws marked [150B]. The tweeter can then be removed. (Photo 5)

**6. Network (Time required: About 3 minutes)**

6-1 Remove the tweeter. (See procedure 5)  
6-2 Remove the four (4) screws marked [140B]. The network can then be removed. (Photo 6)



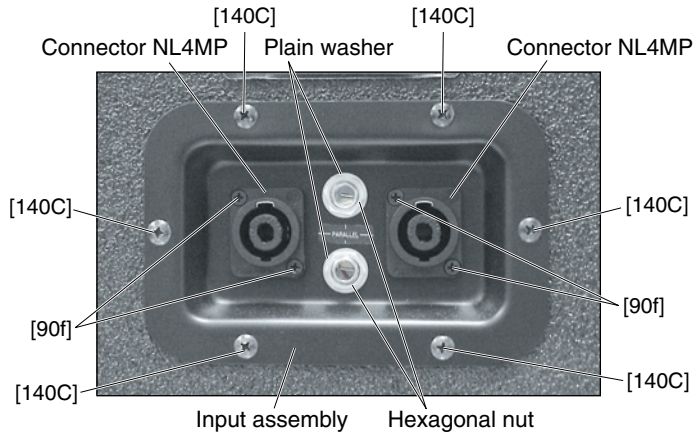
[140]: TH Sheet Metal Screw #6 x 5/8 BLK (WJ493800)

Photo 6

## 7. Input Assembly

**(Time required: About 2 minutes)**

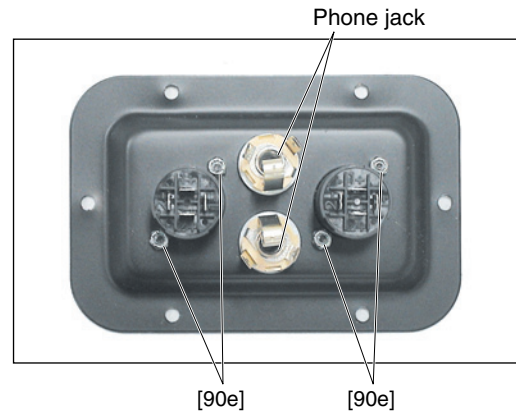
- 7-1 Remove the six (6) screws marked [140C]. The input assembly can then be removed. (Photo 7)
- 7-2 Remove the two (2) screws marked [90f] and the two (2) hexagonal nuts marked [90e]. The connector NL4MP can then be removed. (Photo 7, 8)
- 7-3 Remove the hexagonal nut. The plain washer and phone jack can then be removed. (Photo 7, 8)



[90f]: FH Machining Screw #4-40 x 3/8 ZN BL (WJ372100)

[140]: TH Sheet Metal Screw #6 x 5/8 BLK (WJ493800)

Photo 7



[90e]: Hexagonal Nut #4-40 NYLOK NUT (WJ372000)

Photo 8

● **CM12V/CM15V**

**1. Metal Handle (Time required: About 1 minute)**

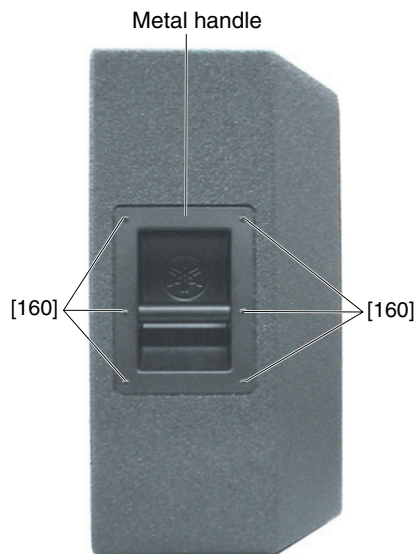
1-1 Remove the six (6) screws marked [160]. The metal handle can then be removed. (Photo 1)

**2. Pole Socket (Time required: About 1 minutes)**

2-1 Remove the three (3) screws marked [130A]. The pole socket can then be removed. (Photo 2)

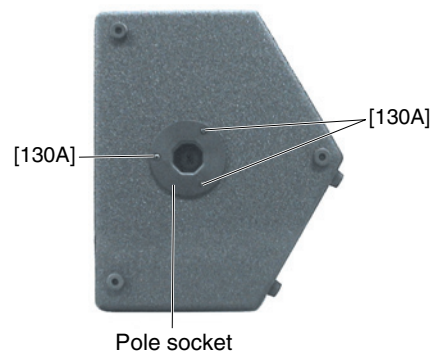
**3. Rubber Foot (Time required: About 1 minutes)**

3-1 Remove the screw marked [10d]. The rubber foot can then be removed. (Photo 3)



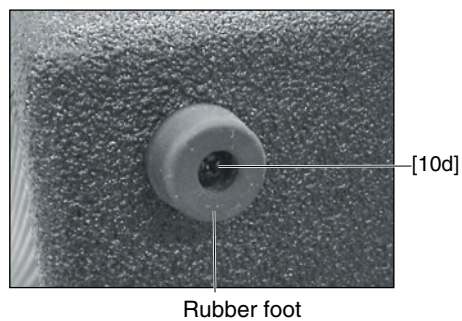
[160]: TH SMS Screw #8 x 3/4 BLACK (WJ911600)

Photo 1



[130]: Pan Head PB Screw #10 x 1 BLK (WJ911300)

Photo 2

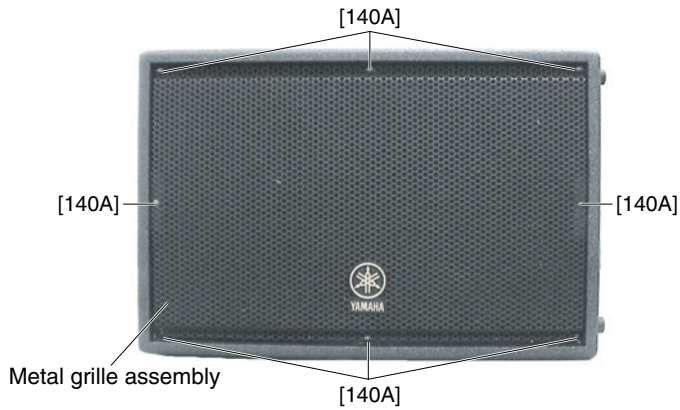


[10d]: Pan Head PB Screw #10 x 1 BLK (WJ911300)

Photo 3

**4. Woofer (Time required: About 3 minutes)**

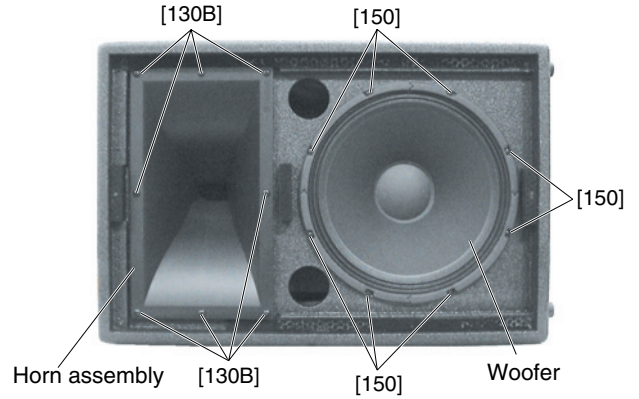
4-1 Remove the eight (8) screws marked [140A]. The metal grille assembly can then be removed. (Photo 4)



[140]: TH Sheet Metal Screw #6 x 5/8 BLK (WJ493800)

Photo 4

4-2 Remove the eight (8) screws marked [150]. The woofer can then be removed. (Photo 5)



[130]: Pan Head PB Screw #10 x 1 BLK (WJ911300)

**CM12V**

[150]: Pan Head PB Screw PHPBS #8 x 1 BLK (WJ911500)

**CM15V**

[150]: Pan HD Machine Screw #10-32 x 1 BLK (WJ494200)

Photo 5

**5. Horn Assembly**

**(Time required: About 3 minutes)**

- 5-1 Remove the metal grille assembly. (See procedure 4-1)
- 5-2 Remove the eight (8) screws marked [130B]. The horn assembly can then be removed. (Photo 5)
- 5-3 **Horn**
- 5-3-1 Remove the two (2) hex head mach screw marked [50c]. The horn can then be removed from the horn assembly. (Photo 7)

- 5-4 **Diaphragm Assembly**
- 5-4-1 Remove the three (3) screws marked [A]. The diaphragm assembly can then be removed from the horn driver. (Photo 6, 8)

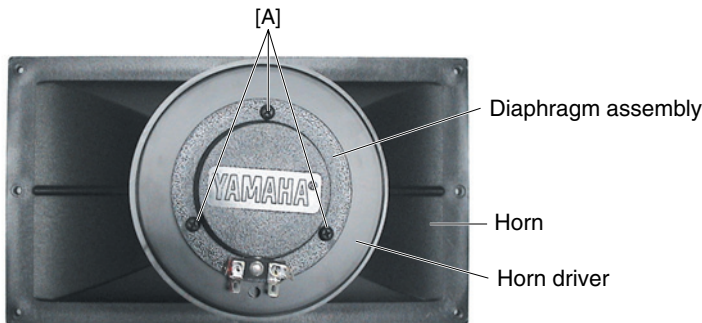
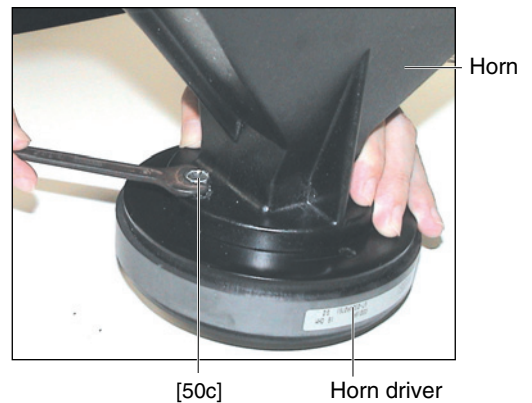


Photo 6



[50c]: Hex Head Mach Screw 1/4 x 5/8 inch (WJ356300)

Photo 7

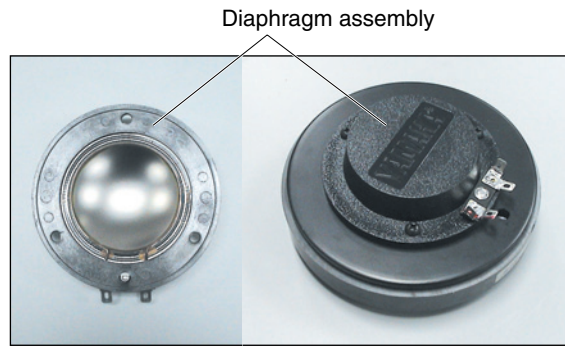
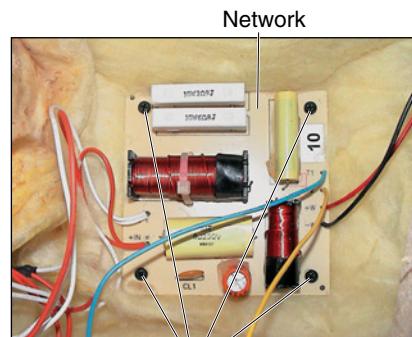


Photo 8

**6. Network (Time required: About 4 minutes)**

- 6-1 Remove the horn assembly. (See procedure 5)
- 6-2 Remove the four (4) screws marked [170]. The network can then be removed. (Photo 9)



[170]

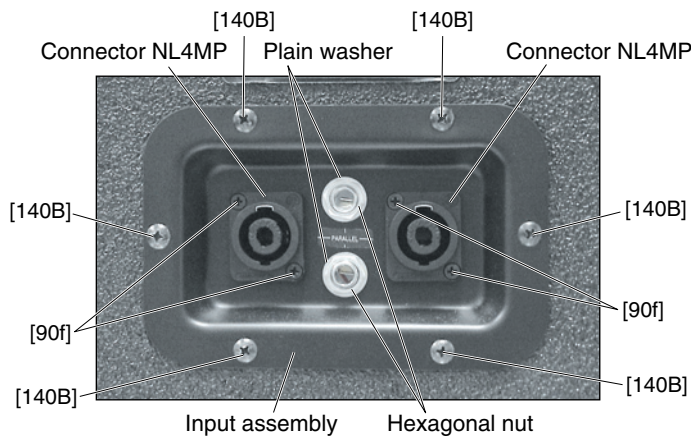
[170]: Pan Head SM Screw PHSMS #6 x 3/4 BLK (WJ911700)

Photo 9

**7. Input Assembly**

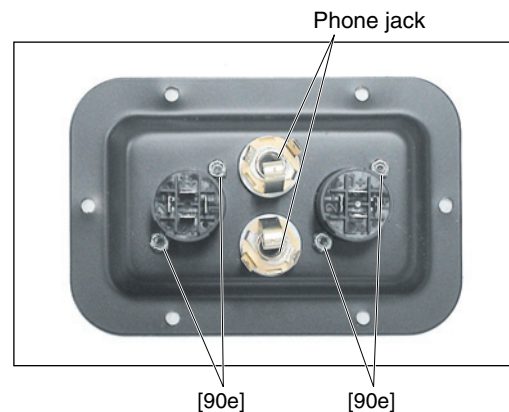
**(Time required: About 2 minutes)**

- 7-1 Remove the six (6) screws marked [140B]. The input assembly can then be removed. (Photo 10)
- 7-2 Remove the two (2) screws marked [90f] and the two (2) hexagonal nuts marked [90e]. The connector NL4MP can then be removed. (Photo 10, 11)
- 7-3 Remove the hexagonal nut. The plain washer and phone jack can then be removed. (Photo 10, 11)



[90f]: FH Machining Screw #4-40 x 3/8 ZN BL (WJ372100)  
[140]: TH Sheet Metal Screw #6 x 5/8 BLK (WJ493800)

Photo 10



[90e]: Hexagonal Nut #4-40 NYLOK NUT (WJ372000)

Photo 11



● **CW115V/CW118V**

**1. Metal Handle (Time required: About 1 minute)**

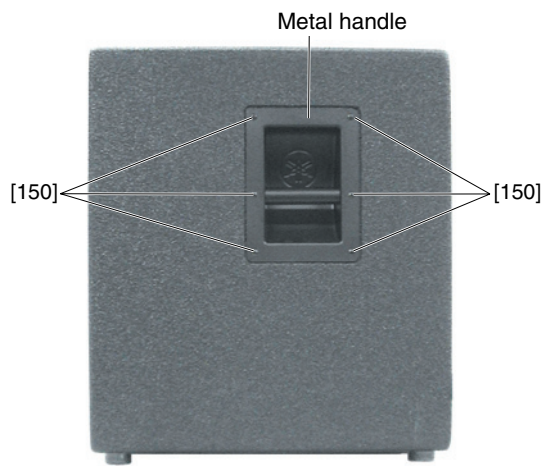
1-1 Remove the six (6) screws marked [150]. The metal handle can then be removed. (Photo 1)

**2. Pole Socket (Time required: About 1 minutes)**

2-1 Remove the four (4) screws marked [160]. The pole socket can then be removed. (Photo 2)

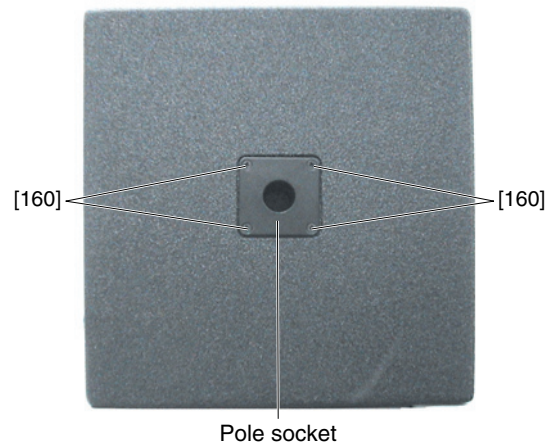
**3. Rubber Foot (Time required: About 1 minutes)**

3-1 Remove the screw marked [10d]. The rubber foot can then be removed. (Photo 3)



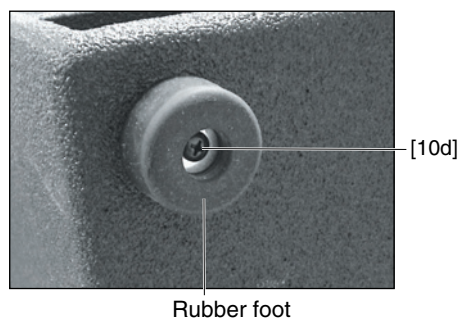
[150]: TH SMS Screw #8 x 3/4 BLACK (WJ911600)

Photo 1



[160]: FLH Machine Screw 1/4 x 1-1/4 BLK (WJ494300)

Photo 2

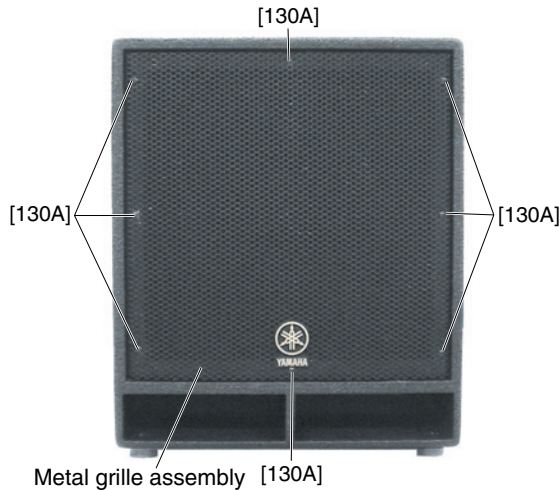


[10d]: Pan Head PB Screw #10-32 x 1 BLK (WJ494200)

Photo 3

**4. Woofer (Time required: About 3 minutes)**

4-1 Remove the eight (8) (The screws of CW118V model is twelve (12)) screws marked [130A]. The metal grille assembly can then be removed. (Photo 4)

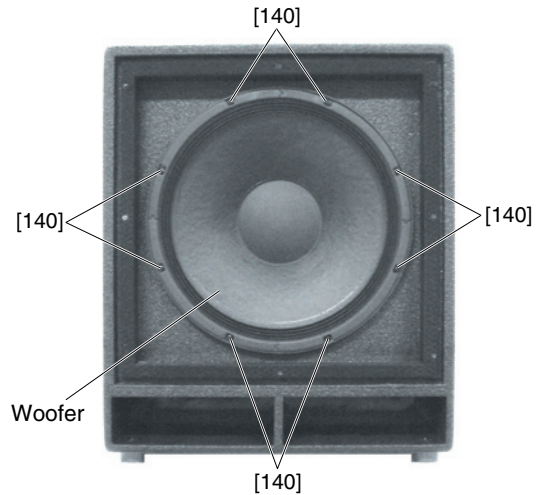


**(CW115V)**

[130]: TH Sheet Metal Screw #6 x 5/8 BLK (WJ493800)

Photo 4

4-2 Remove the eight (8) screws marked [140]. The woofer can then be removed. (Photo 5)



[140]: Pan HD Machine Screw #10-32 x 1-1/2 (WJ624200)

Photo 5

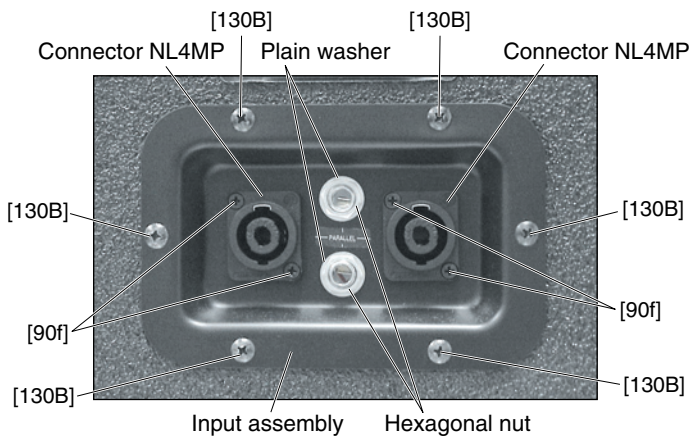
**5. Input Assembly**

**(Time required: About 2 minutes)**

5-1 Remove the six (6) screws marked [130B]. The input assembly can then be removed. (Photo 6)

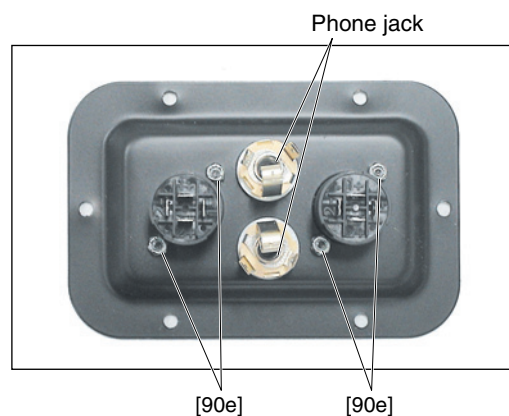
5-2 Remove the two (2) screws marked [90f] and the two (2) hexagonal nuts marked [90e]. The connector NL4MP can then be removed. (Photo 6, 7)

5-3 Remove the hexagonal nut. The plain washer and phone jack can then be removed. (Photo 6, 7)



[90f]: FH Machining Screw #4-40 x 3/8 ZN BL (WJ372100)  
[130]: TH Sheet Metal Screw #6 x 5/8 BLK (WJ493800)

Photo 6



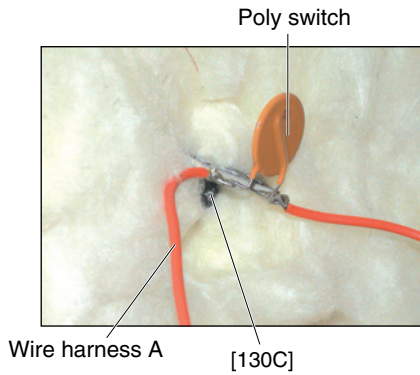
[90e]: Hexagonal Nut #4-40 NYLOK NUT (WJ372000)

Photo 7

## 6. Wire Harness A

(Time required: About 5 minutes)

6-1 Remove the woofer. (See procedure 4)



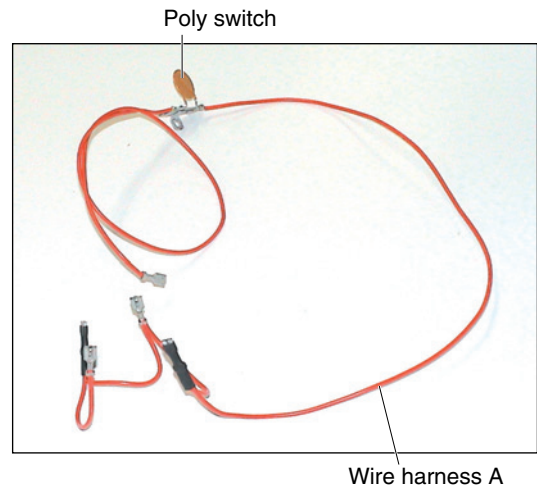
Wire harness A

[130C]

[130]: TH Sheet Metal Screw #6 x 5/8 BLK (WJ493800)

Photo 8

6-2 Remove the screw marked [130C]. The wire harness A can then be removed. (Photo 8, 9)



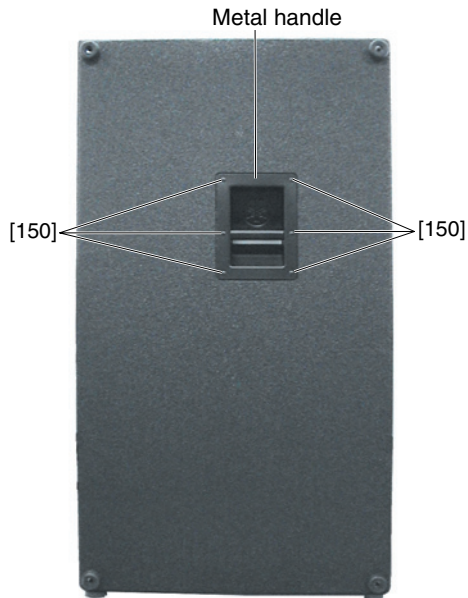
Wire harness A

Photo 9

● **CW218V**

**1. Metal Handle (Time required: About 1 minute)**

1-1 Remove the six (6) screws marked [150]. The metal handle can then be removed. (Photo 1)



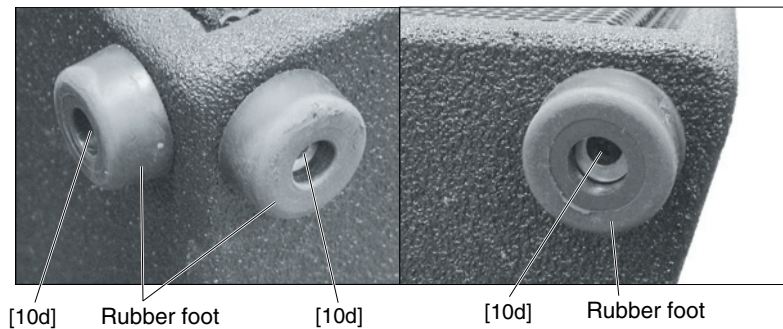
[150]: TH SMS Screw #8 x 3/4 BLACK (WJ911600)

Photo 1

**2. Rubber Foot (Time required: About 1 minutes)**

2-1 Remove the screw marked [10d]. The rubber foot can then be removed. (Photo 2)

2-2 When the number of rubber feet are two, the two (2) screws marked [10d] are removed, respectively. (Photo 2)

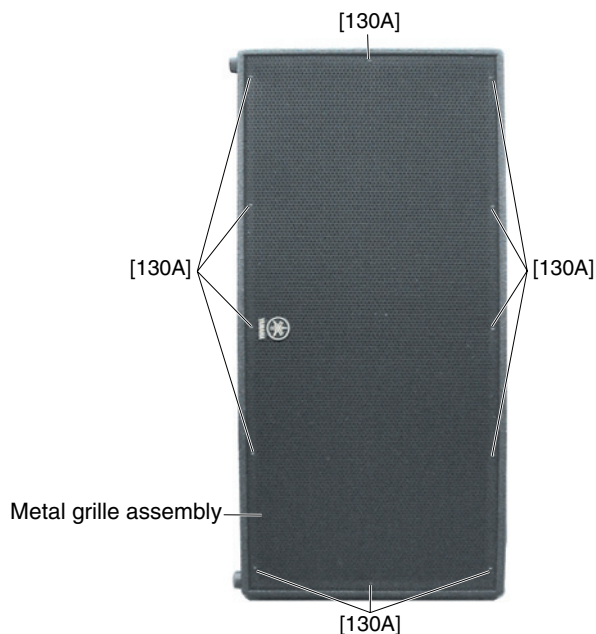


[10d]: Pan Head PB Screw #10 x 1 BLK (WJ911300)

Photo 2

**3. Woofer (Time required: About 3 minutes)**

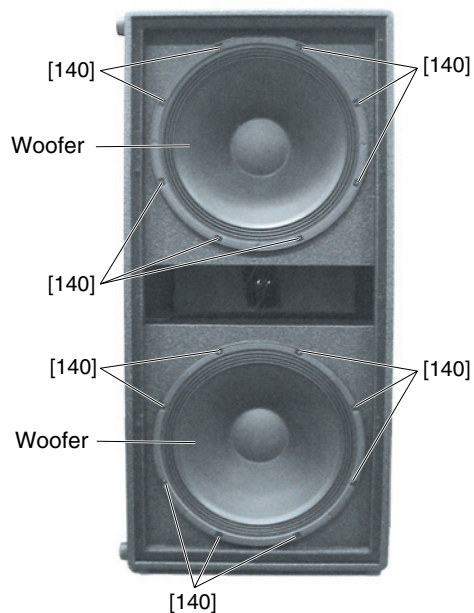
3-1 Remove the twelve (12) screws marked [130A]. The metal grille assembly can then be removed. (Photo 3)



[130]: TH Sheet Metal Screw #6 x 5/8 BLK (WJ493800)

Photo 3

3-2 Remove the eight (8) screws marked [140]. The woofer can then be removed. (Photo 4)



[140]: Pan HD Machine Screw #10-32 x 1-1/2 (WJ624200)

Photo 4

#### 4. Input Assembly

(Time required: About 2 minutes)

- 4-1 Remove the six (6) screws marked [130B]. The input assembly can then be removed. (Photo 5)
- 4-2 Remove the two (2) screws marked [90f] and the two (2) hexagonal nuts marked [90e]. The connector NL4MP can then be removed. (Photo 5, 6)

- 4-3 Remove the hexagonal nut. The plain washer and phone jack can then be removed. (Photo 5, 6)

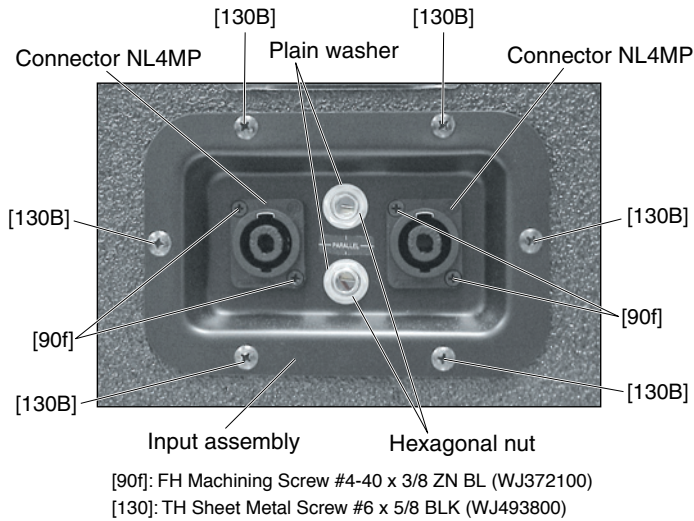


Photo 5

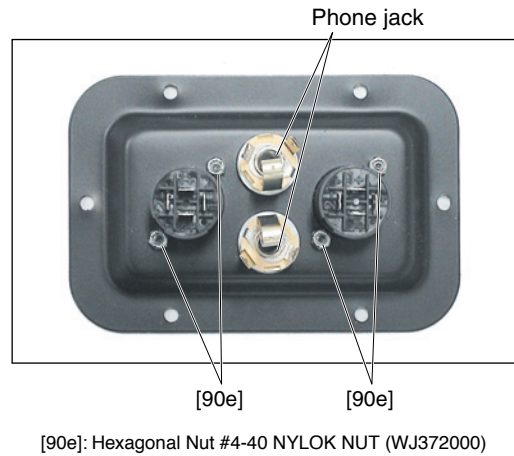


Photo 6

#### 5. Wire Harness A

(Time required: About 7 minutes)

- 5-1 Remove the upper and lower woofer. (See procedure 3)

- 5-2 Remove the two (2) screws marked [130C]. The wire harness A can then be removed. (Photo 7, 8)

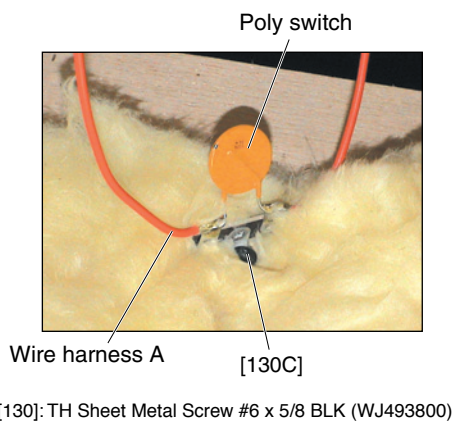


Photo 7

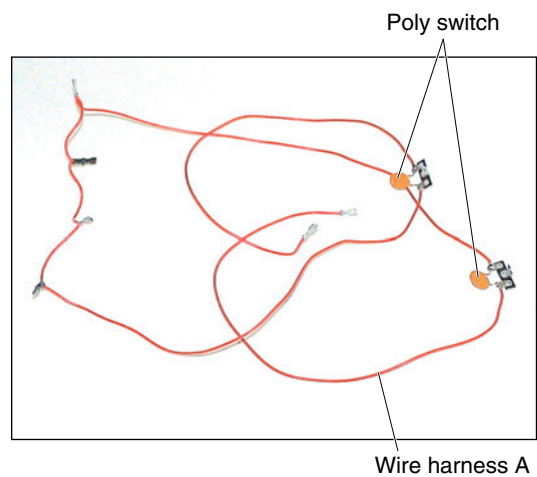


Photo 8

## ■ 分解手順

### ● C112VA/C115VA

#### 1. スピーカ (LF) (所要時間：約3分)

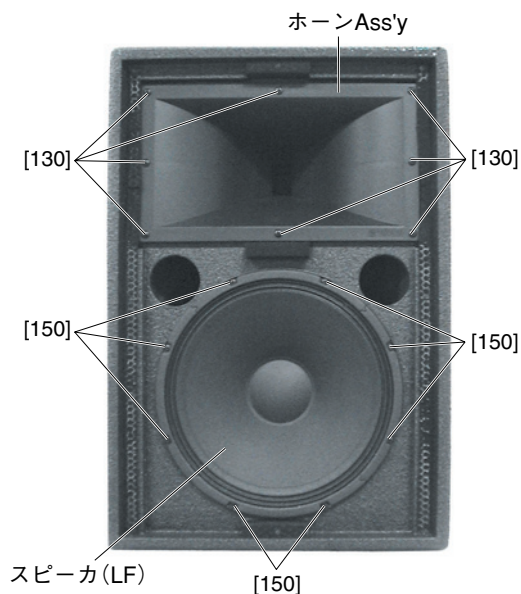
1-1 [140A]のネジ8本を外し、メタルグリル Ass'yを外します。(写真1)



[140]: トラストップネジ #6 x 5/8 BLK (WJ493800)

写真 1

1-2 [150]のネジ8本を外し、スピーカ (LF) を外します。(写真1)



[130]: 鍋ねじ #10 x 1 BLK (WJ911300)

**C112VA**

[150]: 鍋ねじ PHPBS #8 x 1 BLK (WJ911500)

**C115VA**

[150]: 鍋ねじ #10-32 x 1 BLK (WJ494200)

写真 2

#### 2. ホーン Ass'y (所要時間：約3分)

2-1 メタルグリル Ass'yを外します。(1-1項参照)

2-2 [130]のネジ8本を外し、ホーン Ass'yを外します。(写真2)

2-3 ホーン

2-3-1 [50c]の六角ボルト2本を外し、ホーン Ass'y からホーンを外します。(写真4)

2-4 **ダイヤフラム Ass'y**

2-4-1 [A]のネジ3本を外し、スピーカ (HF) からダイヤフラム Ass'yを外します。(写真3、5)

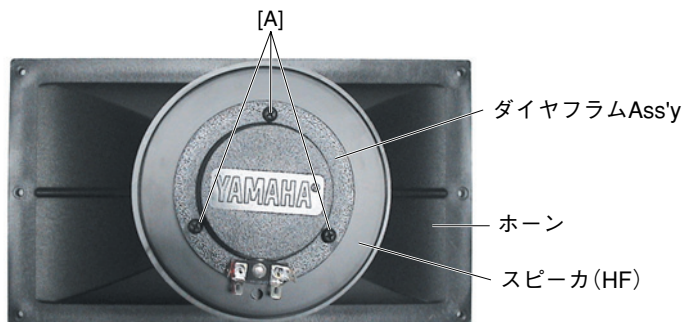
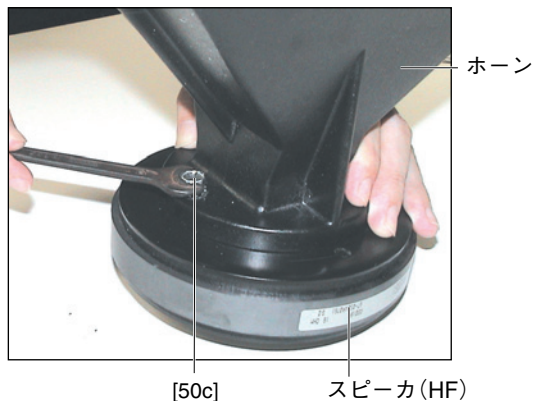


写真 3



[50c]: 歯付座金付六角ボルト 1/4 x 5/8 inch (WJ356300)

写真 4

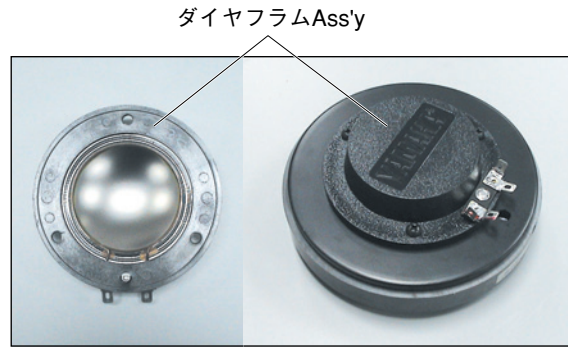
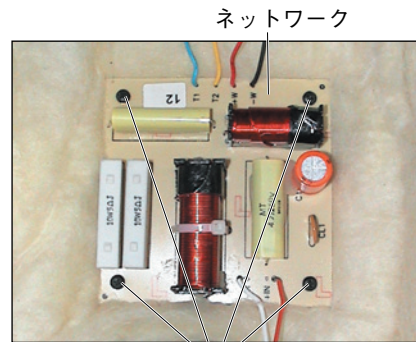


写真 5

3. ネットワーク (所要時間: 約4分)

- 3-1 スピーカ (LF) を外します。(1項参照)
- 3-2 [170]のネジ4本を外し、ネットワークを外します。(写真6)



[170]

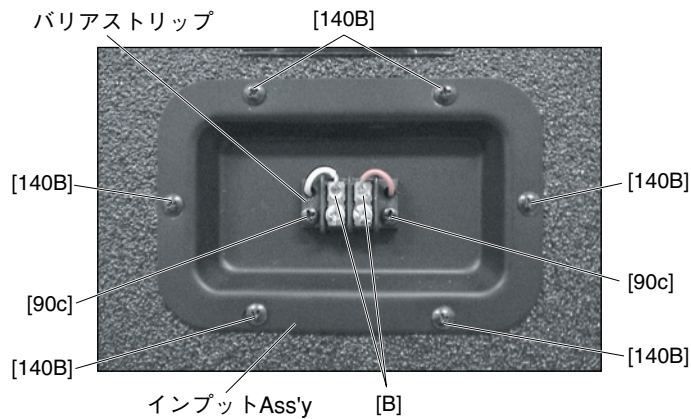
[170]: 鍋ねじ PHSMS #6 x 3/4 BLK (WJ911700)

写真 6

4. インプット Ass'y (所要時間: 約2分)

- 4-1 [140B]のネジ6本を外し、インプット Ass'yを外します。(写真7)

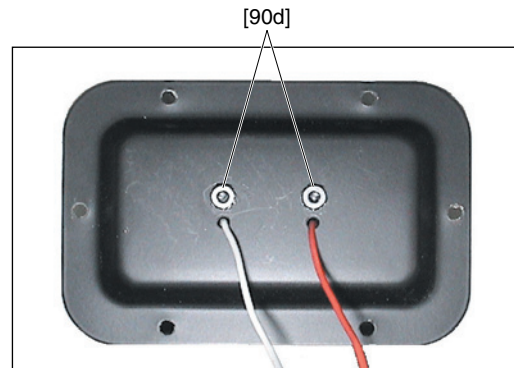
- 4-2 [90c]のネジ2本と[90d]の六角ナット2本、[B]の半田を外し、バリアストリップを外します。(写真7、8)



[90c]: 鍋小ねじ PHMS #6-32 x 1/2 ZN BLK (WJ971600)

[140]: トラストップねじ #6 x 5/8 BLK (WJ493800)

写真 7



[90d]: 歯付座金ナット#6 #6-32 (WJ542400)

写真 8

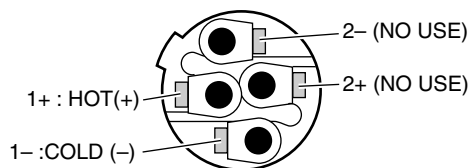
## ■ NEUTRIK NL4FC PLUG WIRING (スピコン NEUTRIK NL4FC プラグの配線)

If you will be using the Neutrik connectors for speaker input, wire the plugs as shown below.

(Neutrik NL4FCプラグは図のように配線してください。)

Be sure to use proper speaker cable — NOT shielded instrument or line cable — for all speaker connections.

(ケーブルは、スピーカーケーブルを使用してください。)



Neutrik NL4FC connector



# CLUB Series SPEAKER SYSTEM/ SUBWOOFER

## PARTS LIST


### ■ CONTENTS (目次)


|                              |    |
|------------------------------|----|
| OVERALL ASSEMBLY (総組立) ..... | 2  |
| • C112V .....                | 2  |
| • C112VA .....               | 4  |
| • C115V .....                | 6  |
| • C115VA .....               | 8  |
| • C215V .....                | 10 |
| • CM10V .....                | 12 |
| • CM12V .....                | 14 |
| • CM15V .....                | 16 |
| • CW115V .....               | 18 |
| • CW118V .....               | 20 |
| • CW218V .....               | 22 |

### Notes : DESTINATION ABBREVIATIONS

|                          |                                 |
|--------------------------|---------------------------------|
| A : Australian model     | M : South African model         |
| B : British model        | O : Chinese model               |
| C : Canadian model       | Q : South-east Asia model       |
| D : German model         | T : Taiwan model                |
| E : European model       | U : U.S.A. model                |
| F : French model         | V : General export model (110V) |
| H : North European model | W : General export model (220V) |
| I : Indonesian model     | N,X : General export model      |
| J : Japanese model       | Y : Export model                |
| K : Korean model         |                                 |

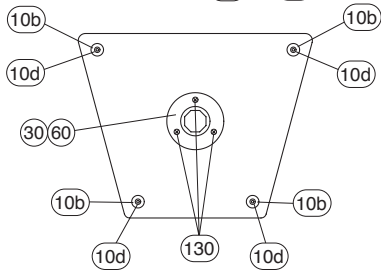
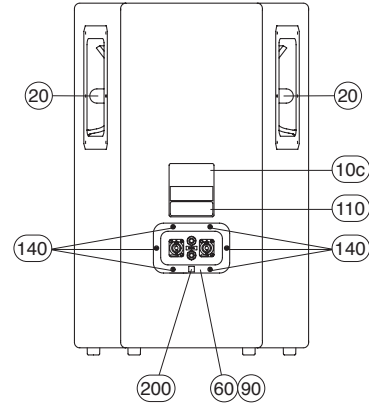
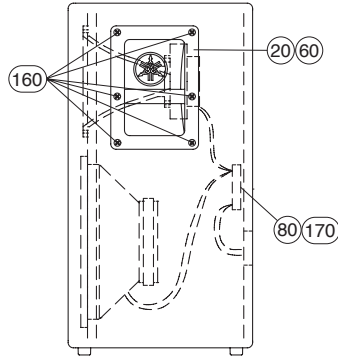
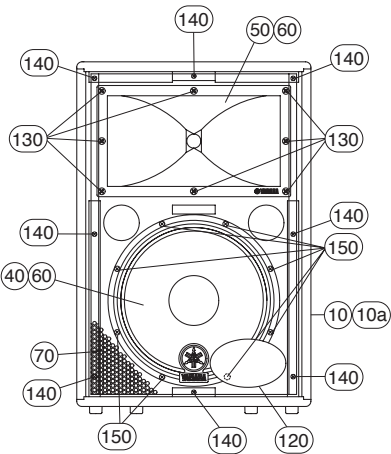
### ■ WARNING

Components having special characteristics are marked  and must be replaced with parts having specification equal to those originally installed.

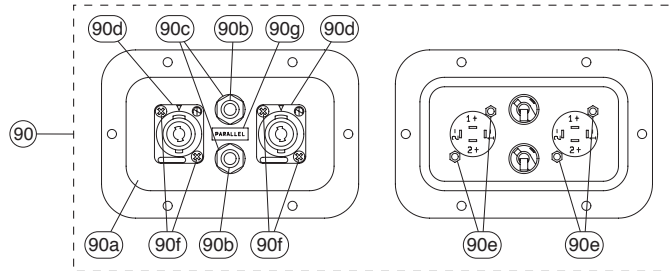
 印の部品は、安全を維持するために重要な部品です。交換する場合は、安全のために必ず指定の部品をご使用ください。

- The numbers "QTY" show quantities for each unit.
- The parts with "--" in "PART NO." are not available as spare parts.
- This mark "}" in the REMARKS column means these parts are interchangeable.
- The second letter of the shaded (■) part number is O, not zero.
- The second letter of the shaded (■) part number is I, not one.
- 部品価格ランクは、変更になることがあります。
- QTY 欄に記されている数字は、各ユニット当たりの使用個数です。
- PART NO. が "--" の部品は、サービス用部品として準備されておりません。
- REMARKS 欄の 「}」 マークの部品は、併用部品です。
- 網掛けの付いた PART NO. の 2 番目の文字は「ゼロ」ではなく、「オー」です。
- 網掛けの付いた PART NO. の 2 番目の文字は「イチ」ではなく、「アイ」です。

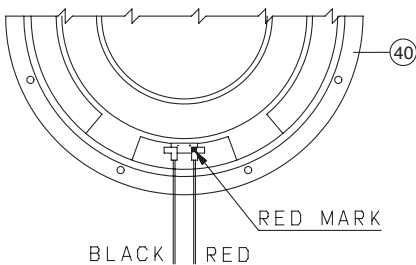
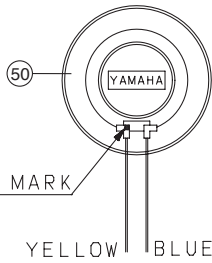
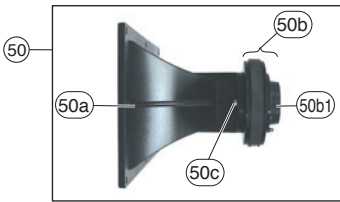
**OVERALL ASSEMBLY (総組立) : C112V**



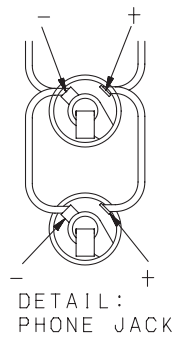
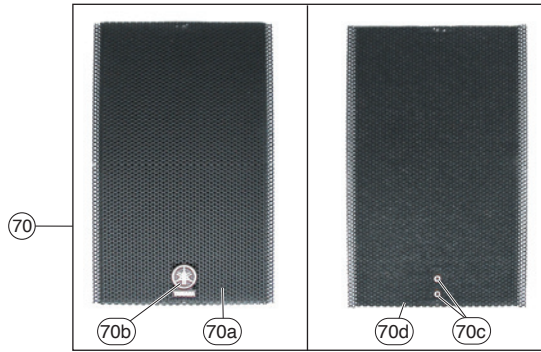
**Input Assembly**



**Horn Assembly**

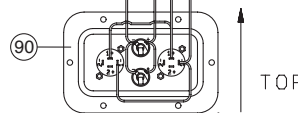


**Metal Grille Assembly**



FROM CROSSOVER NETWORK

ORANGE (NAKED TERMINAL) +  
 WHITE (NAKED TERMINAL) -  
 ORANGE (COVERED TERMINAL) 1+  
 WHITE (COVERED TERMINAL) 1-



**CLUB Series  
SPEAKER SYSTEM/  
SUBWOOFER**

| REF NO. | PART NO.        | DESCRIPTION           |                  | 部 品 名                 | REMARKS | QTY        | RANK |
|---------|-----------------|-----------------------|------------------|-----------------------|---------|------------|------|
|         |                 | OVERALL ASSEMBLY      |                  | 総 組 立                 | C112V   |            |      |
|         | --              | Overall Assembly      | PA J             | 総 組 立                 | Y       |            |      |
|         | --              | Overall Assembly      | PA CHN           | 総 組 立                 | O       | (WJ38650)  |      |
| 10      | --              | Cabinet Assembly      |                  | キャビネット A s s ' y      |         | (WJ38460)  |      |
| 10a     | --              | Cabinet               |                  | キャビネット 塗装上り           |         | (WJ42300)  |      |
| * 10b   | <b>WJ352600</b> | Rubber Foot           |                  | ゴ ム 脚                 |         | (CBY01890) | 4    |
| 10c     | --              | Label                 |                  | 注 意 文 ラ ベ ル           |         | (WJ35280)  |      |
| * 10d   | <b>WJ911300</b> | Pan Head PB Screw     | #10 X 1 BLK      | 鍋 ね じ                 |         | (EKY01240) | 4    |
| * 20    | <b>WJ213700</b> | Metal Handle          |                  | メ タ ル ハ ン ド ル         |         | (AAY02580) | 2    |
| * 30    | <b>WJ355400</b> | Pole Socket           | TSM              | ポ ー ル ソ ケ ッ ト         |         | (CBY03910) |      |
| * 40    | <b>X8456A00</b> | Woofer                | 30 8 175         | ス ピ ー カ               | LF 12"  | (JAY51200) |      |
| * 50    | <b>WJ356400</b> | Horn Assembly         | MIPA 8F87        | ホ ー ン A s s ' y       |         | (NBY07370) |      |
| * 50a   | <b>WJ356100</b> | Horn                  |                  | ホ ー ン                 |         | (CBY05490) |      |
| * 50b   | <b>X8454A00</b> | Horn Driver           | 5.0 16           | ス ピ ー カ               | HF      | (JAY20610) |      |
| * 50b1  | <b>WK235000</b> | Diaphragm Assembly    |                  | ダ イ ヤ フ ラ ム A s s ' y |         | (NBE20610) | 16   |
| * 50c   | <b>WJ356300</b> | Hex Head Mach Screw   | 1/4 X 5/8 inch T | 歯 付 座 金 付 六 角 ボ ル ト   |         | (EKY01340) | 2    |
| * 60    | <b>WJ356500</b> | Gasket                | 9.5              | ガ ス ケ ッ ト             |         | (CBY01480) |      |
| * 70    | <b>WJ363900</b> | Metal Grille Assembly |                  | メ タ ル グ リ ル A s s ' y |         | (NBY07440) |      |
| 70a     | --              | Metal Grille          |                  | メ タ ル グ リ ル           |         | (WJ36620)  |      |
| * 70b   | <b>WJ370400</b> | Logo Badge            |                  | ロ ゴ バ ッ ジ             |         | (CBY05500) |      |
| * 70c   | <b>WJ370500</b> | Push Nut              |                  | プ ッ シ ュ ナ ッ ト         |         | (AAX52740) | 2    |
| 70d     | --              | Urethane Foam         |                  | ウ レ タ ン フ ォ ー ム       |         | (WJ36710)  |      |
| * 80    | <b>WJ367900</b> | Cross-Over Network    | 12               | ネ ッ ト ワ ー ク           |         | (NBY07310) |      |
| * 90    | <b>WJ370600</b> | Input Assembly        | PA 8F87          | イ ン プ ッ ト A s s ' y   |         | (NBY07360) |      |
| 90a     | --              | Input Panel           |                  | イ ン プ ッ ト パ ネ ル       |         | (WJ37090)  |      |
| * 90b   | <b>WJ371200</b> | Phone Jack            | PA               | ホ ー ン ジ ャ ッ ク         |         | (LBY00150) | 2    |
| * 90c   | <b>WJ371700</b> | Plain Washer          | 3/8inch          | 平 座 金                 |         | (EWPP0010) | 2    |
| * 90d   | <b>WJ371800</b> | Connector NL4MP       | 4P NL4MP         | コ ネ ク タ N L 4 M P     |         | (LAY00180) | 2    |
| * 90e   | <b>WJ372000</b> | Hexagonal Nut         | #4-40 NYLOK NUT  | 六 角 ナ ッ ト             |         | (EKY01540) | 4    |
| * 90f   | <b>WJ372100</b> | FH Machining Screw    | #4-40X3/8 ZN BL  | 皿 ね じ                 |         | (EFME0630) | 4    |
| 90g     | --              | Decal                 |                  | デ カ ー ル               |         | (WJ37220)  |      |
| 110     | --              | Serial Label          |                  | シ リ ア ル N O ラ ベ ル     |         | (WK60960)  |      |
| 120     | --              | Pop Label             |                  | ポ ッ プ ラ ベ ル           |         | (WJ36930)  |      |
| * 130   | <b>WJ911300</b> | Pan Head PB Screw     | #10 X 1 BLK      | 鍋 ね じ                 |         | (EKY01240) | 11   |
| * 140   | <b>WJ493800</b> | TH Sheet Metal Screw  | #6X5/8 BLK       | ト ラ ス タ ッ プ ね じ       |         | (ETAG1030) | 14   |
| * 150   | <b>WJ911500</b> | Pan Head PB Screw     | PHPBS #8X1 BLK   | 鍋 ね じ                 |         | (EKY01460) | 8    |
| * 160   | <b>WJ911600</b> | TH SMS Screw          | #8 X 3/4 BLACK   | ト ラ ス ね じ             |         | (ETAH1230) | 12   |
| * 170   | <b>WJ911700</b> | Pan Head SM Screw     | PHSMS #6X3/4 BLK | 鍋 ね じ                 |         | (EPAG1230) | 4    |
| 200     | --              | Label                 |                  | E マ ー ク ラ ベ ル         | O       | (WK53590)  |      |

\*: New Parts

RANK: Japan only



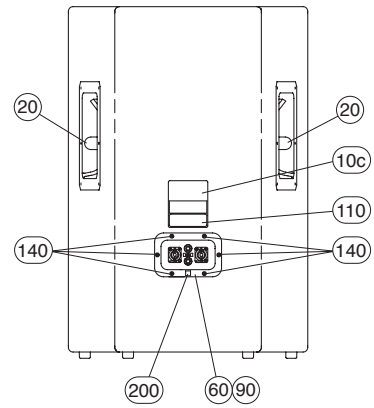
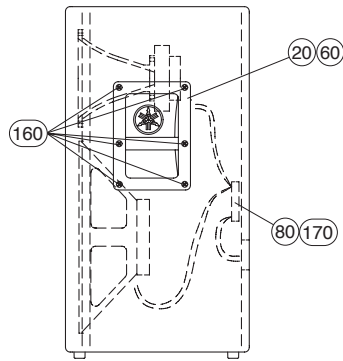
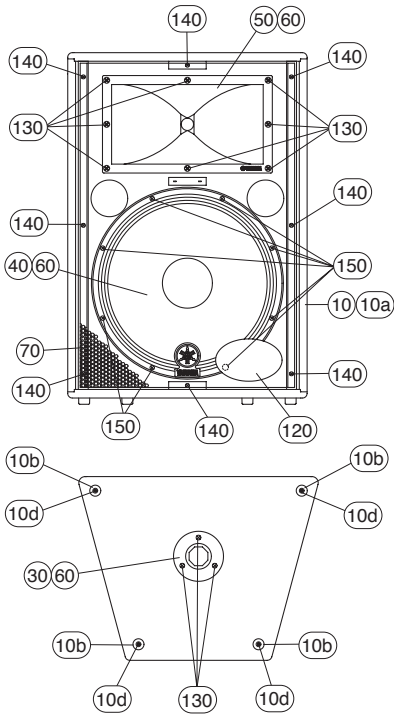
**CLUB Series  
SPEAKER SYSTEM/  
SUBWOOFER**

| REF NO. | PART NO.        | DESCRIPTION            |                    | 部 品 名                 | REMARKS           | QTY | RANK |
|---------|-----------------|------------------------|--------------------|-----------------------|-------------------|-----|------|
|         |                 | OVERALL ASSEMBLY       |                    | 総 組 立                 | C112VA            |     |      |
|         | --              | Overall Assembly       | PA J               | 総 組 立                 | YJ (WJ38660)      |     |      |
|         | --              | Overall Assembly       | PA CHN             | 総 組 立                 | O (WK73600)       |     |      |
| 10      | --              | Cabinet Assembly       |                    | キャビネットA s s ' y       | (WJ38470)         |     |      |
| 10a     | --              | Cabinet                |                    | キャビネット塗装上り            | (WJ42310)         |     |      |
| 10b     | --              | Label                  |                    | 注 意 文 ラ ベ ル           | (WJ35280)         |     |      |
| * 10c   | <b>WJ584900</b> | FH Machining Screw     | 3/8 -16 X 1-1/4 BL | 皿 ね じ                 | (EFMP2030)        | 12  |      |
| * 10d   | <b>WJ912000</b> | Pan Head Machine Screw | PHMS 5/16X1.5 BLK  | 鍋 小 ね じ               | (ERM02430)        | 8   |      |
| * 10e   | <b>WJ584500</b> | Internal Bracket       |                    | イ ン タ ー ナ ル 金 具       | (AAY02480)        | 6   |      |
| * 10f   | <b>WJ969800</b> | Metal Plate            |                    | メ タ ル プ レ ー ト         | (AAY02350)        | 4   |      |
| * 10g   | <b>WJ911900</b> | Pan Head SM Screw      | PHSMS #8X5/8 BLK   | 鍋 ね じ                 | (EPAI1030)        | 12  |      |
| * 40    | <b>X8456A00</b> | Woofer                 | 30 8 175           | ス ピ ー カ               | LF 12" (JAY51200) |     |      |
| * 50    | <b>WJ356400</b> | Horn Assembly          | MIPA 8F87          | ホ ー ン A s s ' y       | (NBY07370)        |     |      |
| * 50a   | <b>WJ356100</b> | Horn                   |                    | ホ ー ン                 | (CBY05490)        |     |      |
| * 50b   | <b>X8454A00</b> | Horn Driver            | 5.0 16             | ス ピ ー カ               | HF (JAY20610)     |     |      |
| * 50b1  | <b>WK235000</b> | Diaphragm Assembly     |                    | ダイアフラムA s s ' y       | (NBE20610)        |     | 16   |
| * 50c   | <b>WJ356300</b> | Hex Head Mach Screw    | 1/4 X 5/8 inch T   | 歯 付 座 金 付 六 角 ボ ル ト   | (EKY01340)        | 2   |      |
| * 60    | <b>WJ356500</b> | Gasket                 | 9.5                | ガ ス ケ ッ ト             | (CBY01480)        |     |      |
| * 70    | <b>WJ363900</b> | Metal Grille Assembly  |                    | メ タ ル グ リ ル A s s ' y | (NBY07440)        |     |      |
| * 70a   | --              | Metal Grille           |                    | メ タ ル グ リ ル           | (WJ36620)         |     |      |
| * 70b   | <b>WJ370400</b> | Logo Badge             |                    | ロ ゴ バ ッ ジ             | (CBY05500)        |     |      |
| * 70c   | <b>WJ370500</b> | Push Nut               |                    | プ ッ シ ュ ナ ッ ト         | (AAX52740)        | 2   |      |
| * 70d   | --              | Urethane Foam          |                    | ウ レ タ ン フ ォ ー ム       | (WJ36710)         |     |      |
| * 80    | <b>WJ368200</b> | Cross-Over Network     | 12A                | ネ ッ ト ワ ー ク           | (NBY07350)        |     |      |
| * 90    | <b>WJ584700</b> | Input Assembly A       | PA 8F97            | イ ン プ ッ ト A s s ' y A | (NBY07380)        |     |      |
| * 90a   | --              | Input Panel A          |                    | イ ン プ ッ ト パ ネ ル A     | (WJ58480)         |     |      |
| * 90b   | <b>WJ584600</b> | Barrier Strip          | 2P                 | バ リ ア ス ト リ ッ プ       | (LAY00170)        |     |      |
| * 90c   | <b>WJ971600</b> | Pan HD Machine Screw   | PHMS #6-32X1/2 BLK | 鍋 小 ね じ               | (EPMG0830)        | 2   |      |
| * 90d   | <b>WJ542400</b> | Keps Nut               | #6-32              | 歯 付 座 金 ナ ッ ト # 6     | (EKY00940)        | 2   |      |
| * 110   | --              | Serial Label           |                    | シ リ ア ル N O ラ ベ ル     | (WK60970)         |     |      |
| * 120   | --              | Pop Label              |                    | ポ ッ プ ラ ベ ル           | (WJ36940)         |     |      |
| * 130   | <b>WJ911300</b> | Pan Head PB Screw      | #10 X 1 BLK        | 鍋 ね じ                 | (EKY01240)        | 8   |      |
| * 140   | <b>WJ493800</b> | TH Sheet Metal Screw   | #6X5/8 BLK         | ト ラ ス タ ッ プ ね じ       | (ETAG1030)        | 14  |      |
| * 150   | <b>WJ911500</b> | Pan Head PB Screw      | PHPBS #8X1 BLK     | 鍋 ね じ                 | (EKY01460)        | 8   |      |
| * 170   | <b>WJ911700</b> | Pan Head SM Screw      | PHSMS #6X3/4 BLK   | 鍋 ね じ                 | (EPAG1230)        | 4   |      |
| * 200   | --              | Label                  |                    | E マ ー ク ラ ベ ル         | O (WK53590)       |     |      |
| *       | <b>WJ585000</b> | ACCESSORY<br>Eye Bolt  | 3/8inch            | 付 属 品<br>ア イ ボ ル ト    | (AAY01960)        | 4   |      |

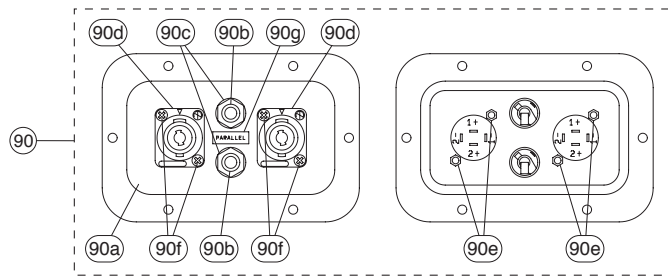
\*: New Parts

RANK: Japan only

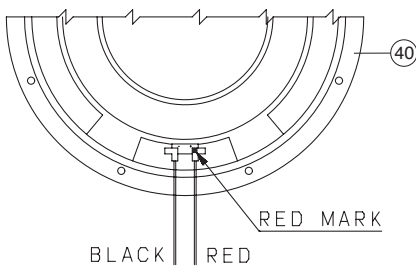
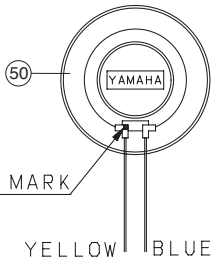
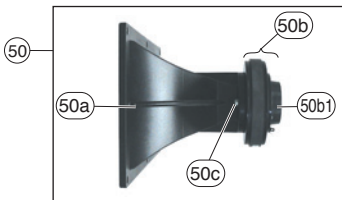
## OVERALL ASSEMBLY (総組立) : C115V



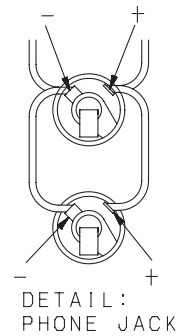
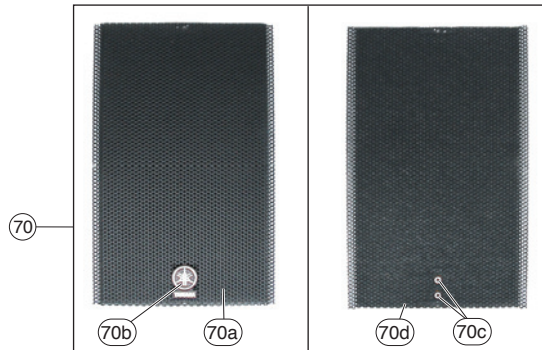
### Input Assembly



### Horn Assembly

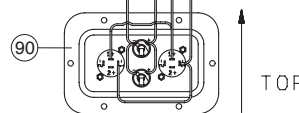


### Metal Grille Assembly



FROM CROSSOVER NETWORK

ORANGE (NAKED TERMINAL) +      ORANGE (COVERED TERMINAL) 1+  
WHITE (NAKED TERMINAL) -      WHITE (COVERED TERMINAL) 1-



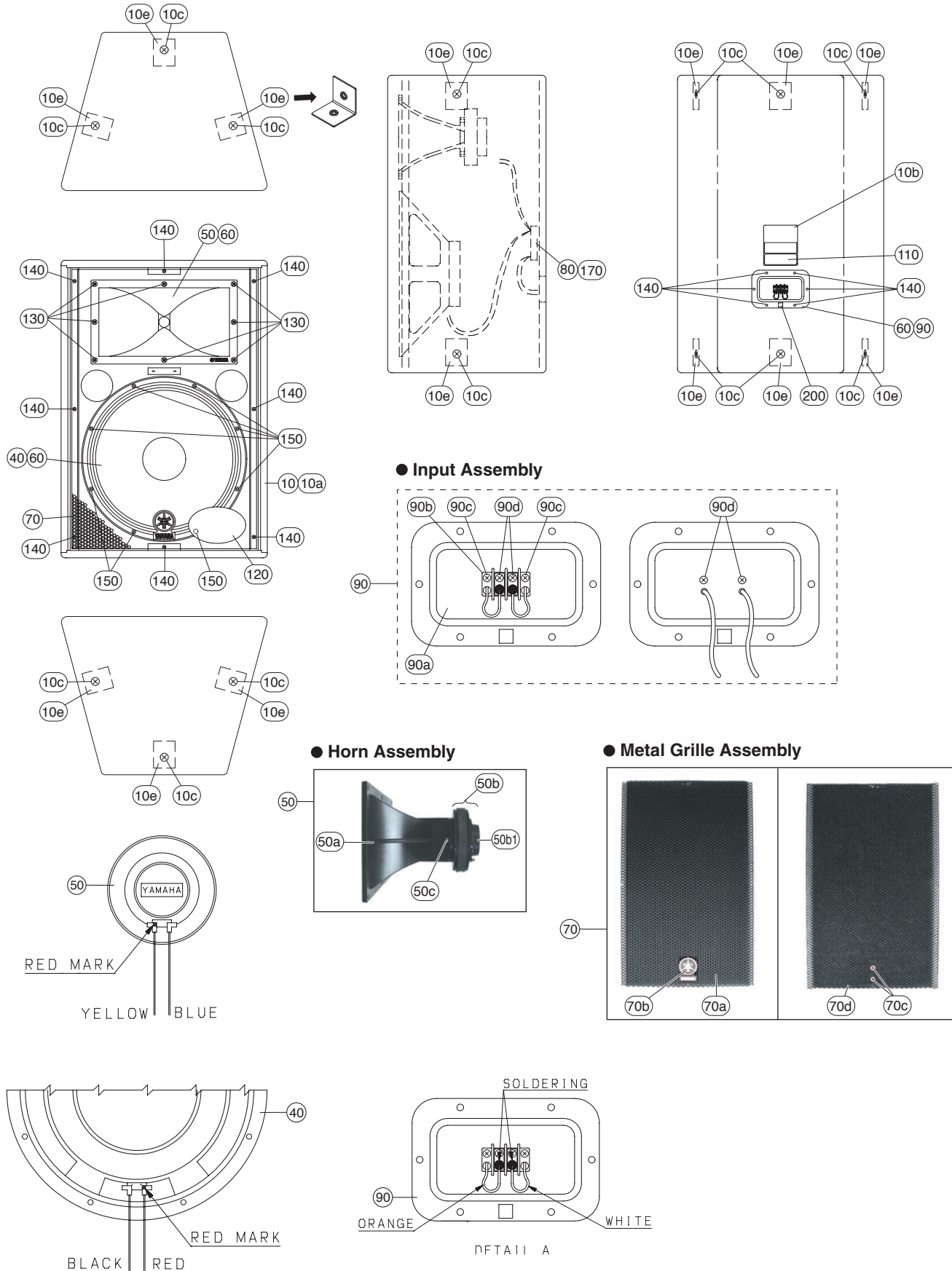
**CLUB Series  
SPEAKER SYSTEM/  
SUBWOOFER**

| REF NO. | PART NO.        | DESCRIPTION           |                  | 部 品 名                 | REMARKS           | QTY | RANK |
|---------|-----------------|-----------------------|------------------|-----------------------|-------------------|-----|------|
|         |                 | OVERALL ASSEMBLY      |                  | 総 組 立                 | C115V             |     |      |
|         | --              | Overall Assembly      | PA J             | 総 組 立                 | Y (WJ38670)       |     |      |
|         | --              | Overall Assembly      | PA CHN           | 総 組 立                 | O (WK73610)       |     |      |
| 10      | --              | Cabinet Assembly      |                  | キャビネット A s s ' y      | (WJ38480)         |     |      |
| 10a     | --              | Cabinet               |                  | キャビネット 塗装上り           | (WJ42320)         |     |      |
| * 10b   | <b>WJ352600</b> | Rubber Foot           |                  | ゴ ム 脚                 | (CBY01890)        | 4   |      |
| 10c     | --              | Label                 |                  | 注 意 文 ラ ベ ル           | (WJ35280)         |     |      |
| * 10d   | <b>WJ911300</b> | Pan Head PB Screw     | #10 X 1 BLK      | 鍋 ね じ                 | (EKY01240)        | 4   |      |
| * 20    | <b>WJ213700</b> | Metal Handle          |                  | メ タ ル ハ ン ド ル         | (AAY02580)        | 2   |      |
| * 30    | <b>WJ355400</b> | Pole Socket           | TSM              | ポ ー ル ソ ケ ッ ト         | (CBY03910)        |     |      |
| * 40    | <b>X8974A00</b> | Woofer                | 38 8 250         | ス ピ ー カ               | LF 15" (JAY61300) |     |      |
| * 50    | <b>WJ356400</b> | Horn Assembly         | MIPA 8F87        | ホ ー ン A s s ' y       | (NBY07370)        |     |      |
| * 50a   | <b>WJ356100</b> | Horn                  |                  | ホ ー ン                 | (CBY05490)        |     |      |
| * 50b   | <b>X8454A00</b> | Horn Driver           | 5.0 16           | ス ピ ー カ               | HF (JAY20610)     |     |      |
| * 50b1  | <b>WK235000</b> | Diaphragm Assembly    |                  | ダ イ ヤ フ ラ ム A s s ' y | (NBE20610)        |     | 16   |
| * 50c   | <b>WJ356300</b> | Hex Head Mach Screw   | 1/4 X 5/8 inch T | 歯 付 座 金 付 六 角 ボ ル ト   | (EKY01340)        | 2   |      |
| * 60    | <b>WJ356500</b> | Gasket                | 9.5              | ガ ス ケ ッ ト             | (CBY01480)        | 2   |      |
| * 70    | <b>WJ364000</b> | Metal Grille Assembly |                  | メ タ ル グ リ ル A s s ' y | (NBY07450)        |     |      |
| 70a     | --              | Metal Grille          |                  | メ タ ル グ リ ル           | (WJ36630)         |     |      |
| * 70b   | <b>WJ370400</b> | Logo Badge            |                  | ロ ゴ バ ッ ジ             | (CBY05500)        |     |      |
| * 70c   | <b>WJ370500</b> | Push Nut              |                  | プ ッ シ ュ ナ ッ ト         | (AAX52740)        | 2   |      |
| 70d     | --              | Urethane Foam         |                  | ウ レ タ ン フ ォ ー ム       | (WJ36720)         |     |      |
| * 80    | <b>WJ367800</b> | Cross-Over Network    | 15               | ネ ッ ト ワ ー ク           | (NBY07300)        |     |      |
| * 90    | <b>WJ370600</b> | Input Assembly        | PA 8F87          | イ ン プ ッ ト A s s ' y   | (NBY07360)        |     |      |
| 90a     | --              | Input Panel           |                  | イ ン プ ッ ト パ ネ ル       | (WJ37090)         |     |      |
| * 90b   | <b>WJ371200</b> | Phone Jack            | PA               | ホ ー ン ジ ャ ッ ク         | (LBY00150)        | 2   |      |
| * 90c   | <b>WJ371700</b> | Plain Washer          | 3/8inch          | 平 座 金                 | (EWPP0010)        | 2   |      |
| * 90d   | <b>WJ371800</b> | Connector NL4MP       | 4P NL4MP         | コ ネ ク タ N L 4 M P     | (LAY00180)        | 2   |      |
| * 90e   | <b>WJ372000</b> | Hexagonal Nut         | #4-40 NYLOK NUT  | 六 角 ナ ッ ト             | (EKY01540)        | 4   |      |
| * 90f   | <b>WJ372100</b> | FH Machining Screw    | #4-40X3/8 ZN BL  | 皿 ね じ                 | (EFME0630)        | 4   |      |
| 90g     | --              | Decal                 |                  | デ カ ー ル               | (WJ37220)         |     |      |
| 110     | --              | Serial Label          |                  | シ リ ア ル N O ラ ベ ル     | (WK60980)         |     |      |
| 120     | --              | Pop Label             |                  | ポ ッ プ ラ ベ ル           | (WJ36950)         |     |      |
| * 130   | <b>WJ911300</b> | Pan Head PB Screw     | #10 X 1 BLK      | 鍋 ね じ                 | (EKY01240)        | 11  |      |
| * 140   | <b>WJ493800</b> | TH Sheet Metal Screw  | #6X5/8 BLK       | ト ラ ス タ ッ プ ね じ       | (ETAG1030)        | 14  |      |
| * 150   | <b>WJ494200</b> | Pan HD Machine Screw  | #10-32X1 BLK     | 鍋 ね じ                 | (EKY01000)        | 8   |      |
| * 160   | <b>WJ911600</b> | TH SMS Screw          | #8 X 3/4 BLACK   | ト ラ ス ね じ             | (ETAH230)         | 12  |      |
| * 170   | <b>WJ911700</b> | Pan Head SM Screw     | PHSMS #6X3/4 BLK | 鍋 ね じ                 | (EPAG1230)        | 4   |      |
| 200     | --              | Label                 |                  | E マ ー ク ラ ベ ル         | O (WK53590)       |     |      |

\*: New Parts

RANK: Japan only

# OVERALL ASSEMBLY (総組立) : C115VA





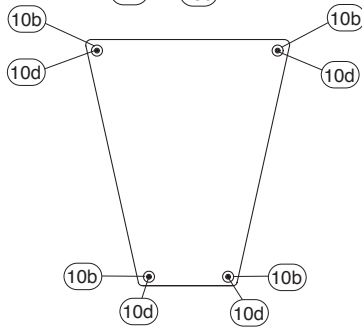
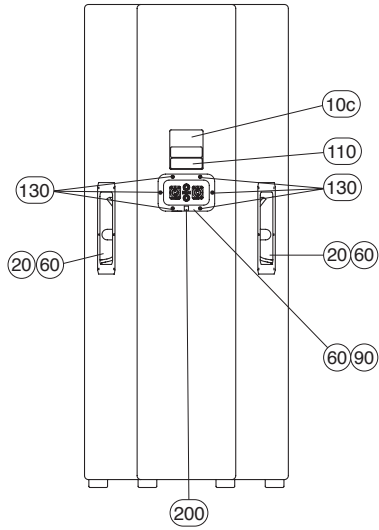
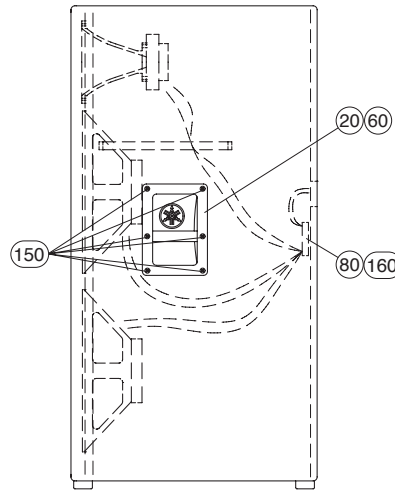
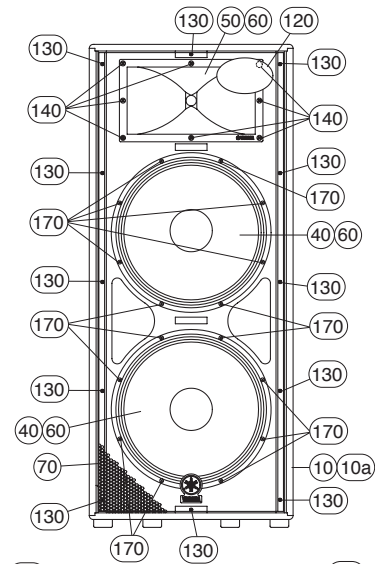
**CLUB Series  
SPEAKER SYSTEM/  
SUBWOOFER**

| REF NO. | PART NO.        | DESCRIPTION           |                    | 部 品 名                 | REMARKS           | QTY | RANK |
|---------|-----------------|-----------------------|--------------------|-----------------------|-------------------|-----|------|
|         | --              | OVERALL ASSEMBLY      |                    | 総 組 立                 | C115VA            |     |      |
|         | --              | Overall Assembly      | PA J               | 総 組 立                 | YJ (WJ38680)      |     |      |
|         | --              | Overall Assembly      | PA CHN             | 総 組 立                 | O (WK73620)       |     |      |
| 10      | --              | Cabinet Assembly      |                    | キャビネットA s s ' y       | (WJ38490)         |     |      |
| 10a     | --              | Cabinet               |                    | キャビネット塗装上り            | (WJ42330)         |     |      |
| 10b     | --              | Label                 |                    | 注 意 文 ラ ベ ル           | (WJ35280)         |     |      |
| * 10c   | <b>WJ584900</b> | FH Machining Screw    | 3/8 -16 X 1-1/4 BL | 皿 ね じ                 | (EFMP2030)        | 12  |      |
| * 10e   | <b>WJ584500</b> | Internal Bracket      |                    | イ ン タ ー ナ ル 金 具       | (AAY02480)        | 6   |      |
| * 40    | <b>X8974A00</b> | Woofer                | 38 8 250           | ス ピ ー カ               | LF 15" (JAY61300) |     |      |
| * 50    | <b>WJ356400</b> | Horn Assembly         | MIPA 8F87          | ホ ー ン A s s ' y       | (NBY07370)        |     |      |
| * 50a   | <b>WJ356100</b> | Horn                  |                    | ホ ー ン                 | (CBY05490)        |     |      |
| * 50b   | <b>X8454A00</b> | Horn Driver           | 5.0 16             | ス ピ ー カ               | HF (JAY20610)     |     | 16   |
| * 50b1  | <b>WK235000</b> | Diaphragm Assembly    |                    | ダ イ ヤ フ ラ ム A s s ' y | (NBE20610)        |     |      |
| * 50c   | <b>WJ356300</b> | Hex Head Mach Screw   | 1/4 X 5/8 inch T   | 歯 付 座 金 付 六 角 ボ ル ト   | (EKY01340)        | 2   |      |
| * 60    | <b>WJ356500</b> | Gasket                | 9.5                | ガ ス ケ ッ ト             | (CBY01480)        | 2   |      |
| * 70    | <b>WJ364000</b> | Metal Grille Assembly |                    | メ タ ル グ リ ル A s s ' y | (NBY07450)        |     |      |
| 70a     | --              | Metal Grille          |                    | メ タ ル グ リ ル           | (WJ36630)         |     |      |
| * 70b   | <b>WJ370400</b> | Logo Badge            |                    | ロ ゴ バ ッ ジ             | (CBY05500)        |     |      |
| * 70c   | <b>WJ370500</b> | Push Nut              |                    | プ ッ シ ュ ナ ッ ト         | (AAX52740)        | 2   |      |
| 70d     | --              | Urethane Foam         |                    | ウ レ タ ン フ ォ ー ム       | (WJ36720)         |     |      |
| * 80    | <b>WJ368300</b> | Cross-Over Network    | 15A                | ネ ッ ト ワ ー ク           | (NBY07340)        |     |      |
| * 90    | <b>WJ584700</b> | Input Assembly A      | PA 8F97            | イ ン プ ッ ト A s s ' y A | (NBY07380)        |     |      |
| 90a     | --              | Input Panel A         |                    | イ ン プ ッ ト パ ネ ル A     | (WJ58480)         |     |      |
| * 90b   | <b>WJ584600</b> | Barrier Strip         | 2P                 | バ リ ア ス ト リ ッ プ       | (LAY00170)        |     |      |
| * 90c   | <b>WJ971600</b> | Pan HD Machine Screw  | PHMS #6-32X1/2 BLK | 鍋 小 ね じ               | (EPMG0830)        | 2   |      |
| * 90d   | <b>WJ542400</b> | Keps Nut              | #6-32              | 歯 付 座 金 ナ ッ ト # 6     | (EKY00940)        | 2   |      |
| 110     | --              | Serial Label          |                    | シ リ ア ル N O ラ ベ ル     | (WK60990)         |     |      |
| 120     | --              | Pop Label             |                    | ポ ッ プ ラ ベ ル           | (WJ36960)         |     |      |
| * 130   | <b>WJ911300</b> | Pan Head PB Screw     | #10 X 1 BLK        | 鍋 ね じ                 | (EKY01240)        | 8   |      |
| * 140   | <b>WJ493800</b> | TH Sheet Metal Screw  | #6X5/8 BLK         | ト ラ ス タ ッ プ ね じ       | (ETAG1030)        | 14  |      |
| * 150   | <b>WJ494200</b> | Pan HD Machine Screw  | #10-32X1 BLK       | 鍋 ね じ                 | (EKY01000)        | 8   |      |
| * 170   | <b>WJ911700</b> | Pan Head SM Screw     | PHSMS #6X3/4 BLK   | 鍋 ね じ                 | (EPAG1230)        | 4   |      |
| 200     | --              | Label                 |                    | E マ ー ク ラ ベ ル         | O (WK53590)       |     |      |
|         |                 | ACCESSORY             |                    | 付 属 品                 |                   |     |      |
| * 1     | <b>WJ585000</b> | Eye Bolt              | 3/8inch            | ア イ ボ ル ト             | (AAY01960)        | 4   |      |

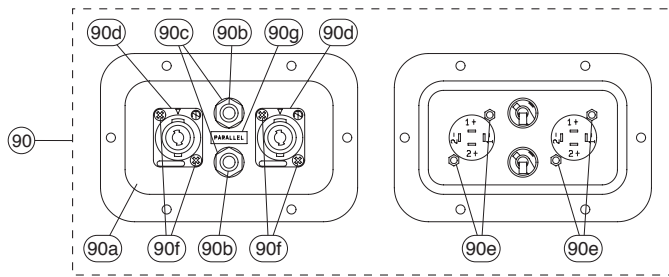
\*: New Parts

RANK: Japan only

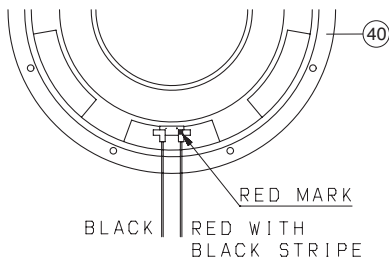
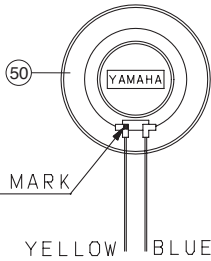
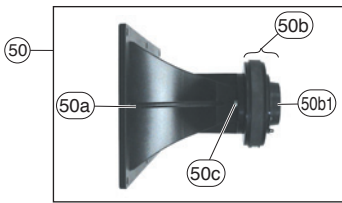
**OVERALL ASSEMBLY (総組立) : C215V**



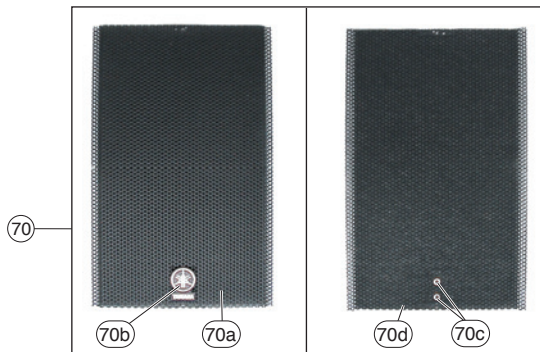
**Input Assembly**



**Horn Assembly**

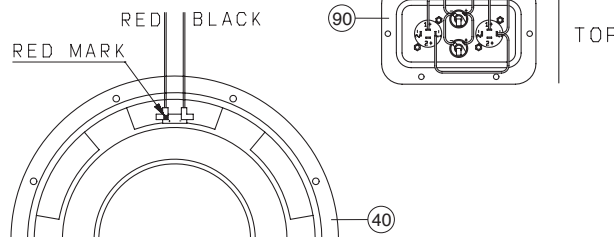


**Metal Grille Assembly**



FROM CROSSOVER NETWORK

ORANGE (NAKED TERMINAL)      ORANGE (COVERED TERMINAL)  
 WHITE (NAKED TERMINAL)      WHITE (COVERED TERMINAL)



**CLUB Series  
SPEAKER SYSTEM/  
SUBWOOFER**

| REF NO. | PART NO.        | DESCRIPTION           |                  | 部 品 名                 | REMARKS           | QTY | RANK |
|---------|-----------------|-----------------------|------------------|-----------------------|-------------------|-----|------|
|         |                 | OVERALL ASSEMBLY      |                  | 総 組 立                 | C215V             |     |      |
|         | --              | Overall Assembly      | PA J             | 総 組 立                 | Y (WJ38690)       |     |      |
|         | --              | Overall Assembly      | PA CHN           | 総 組 立                 | O (WK73630)       |     |      |
| 10      | --              | Cabinet Assembly      |                  | キャビネット A s s ' y      | (WJ38500)         |     |      |
| 10a     | --              | Cabinet               |                  | キャビネット 塗装上り           | (WJ42340)         |     |      |
| * 10b   | <b>WJ352700</b> | Rubber Foot           |                  | ゴ ム 脚                 | (CBY03890)        | 4   |      |
| 10c     | --              | Label                 |                  | 注 意 文 ラ ベ ル           | (WJ35280)         |     |      |
| * 10d   | <b>WJ911300</b> | Pan Head PB Screw     | #10 X 1 BLK      | 鍋 ね じ                 | (EKY01240)        | 4   |      |
| * 20    | <b>WJ213700</b> | Metal Handle          |                  | メ タ ル ハ ン ド ル         | (AAY02580)        | 2   |      |
| * 40    | <b>X8974A00</b> | Woofers               | 38 8 250         | ス ピ ー カ               | LF 15" (JAY61300) | 2   |      |
| * 50    | <b>WJ356400</b> | Horn Assembly         | MIPA 8F87        | ホ ー ン A s s ' y       | (NBY07370)        |     |      |
| * 50a   | <b>WJ356100</b> | Horn                  |                  | ホ ー ン                 | (CBY05490)        |     |      |
| * 50b   | <b>X8454A00</b> | Horn Driver           | 5.0 16           | ス ピ ー カ               | HF (JAY20610)     |     |      |
| * 50b1  | <b>WK235000</b> | Diaphragm Assembly    |                  | ダイヤフラム A s s ' y      | (NBE20610)        |     | 16   |
| * 50c   | <b>WJ356300</b> | Hex Head Mach Screw   | 1/4 X 5/8 inch T | 歯 付 座 金 付 六 角 ボ ル ト   | (EKY01340)        | 2   |      |
| * 60    | <b>WJ356500</b> | Gasket                | 9.5              | ガ ス ケ ッ ト             | (CBY01480)        |     |      |
| * 70    | <b>WJ364100</b> | Metal Grille Assembly |                  | メ タ ル グ リ ル A s s ' y | (NBY07460)        |     |      |
| 70a     | --              | Metal Grille          |                  | メ タ ル グ リ ル           | (WJ36640)         |     |      |
| * 70b   | <b>WJ370400</b> | Logo Badge            |                  | ロ ゴ バ ッ ジ             | (CBY05500)        |     |      |
| * 70c   | <b>WJ370500</b> | Push Nut              |                  | プ ッ シ ュ ナ ッ ト         | (AAX52740)        | 2   |      |
| 70d     | --              | Urethane Foam         |                  | ウ レ タ ン フ ォ ー ム       | (WJ36730)         |     |      |
| * 80    | <b>WJ368100</b> | Cross-Over Network    | 215              | ネ ッ ト ワ ー ク           | (NBY07330)        |     |      |
| * 90    | <b>WJ370600</b> | Input Assembly        | PA 8F87          | イ ン プ ッ ト A s s ' y   | (NBY07360)        |     |      |
| 90a     | --              | Input Panel           |                  | イ ン プ ッ ト パ ネ ル       | (WJ37090)         |     |      |
| * 90b   | <b>WJ371200</b> | Phone Jack            | PA               | ホ ー ン ジャ ッ ク          | (LBY00150)        | 2   |      |
| * 90c   | <b>WJ371700</b> | Plain Washer          | 3/8inch          | 平 座 金                 | (EWPP0010)        | 2   |      |
| * 90d   | <b>WJ371800</b> | Connector NL4MP       | 4P NL4MP         | コ ネ ク タ N L 4 M P     | (LAY00180)        | 2   |      |
| * 90e   | <b>WJ372000</b> | Hexagonal Nut         | #4-40 NYLOK NUT  | 六 角 ナ ッ ト             | (EKY01540)        | 4   |      |
| * 90f   | <b>WJ372100</b> | FH Machining Screw    | #4-40X3/8 ZN BL  | 皿 ね じ                 | (EFME0630)        | 4   |      |
| 90g     | --              | Decal                 |                  | デ カ ー ル               | (WJ37220)         |     |      |
| 110     | --              | Serial Label          |                  | シ リ アル N O ラ ベ ル      | (WK61000)         |     |      |
| 120     | --              | Pop Label             |                  | ポ ッ プ ラ ベ ル           | (WJ36970)         |     |      |
| * 130   | <b>WJ493800</b> | TH Sheet Metal Screw  | #6X5/8 BLK       | ト ラ ス タ ッ プ ね じ       | (ETAG1030)        | 18  |      |
| * 140   | <b>WJ494200</b> | Pan HD Machine Screw  | #10-32X1 BLK     | 鍋 ね じ                 | (EKY01000)        | 8   |      |
| * 150   | <b>WJ911600</b> | TH SMS Screw          | #8 X 3/4 BLACK   | ト ラ ス ね じ             | (ETAH1230)        | 12  |      |
| * 160   | <b>WJ911700</b> | Pan Head SM Screw     | PHSMS #6X3/4 BLK | 鍋 ね じ                 | (EPAG1230)        | 6   |      |
| * 170   | <b>WJ624200</b> | Pan HD Machine Screw  | #10-32X1-1/2     | 鍋 ね じ                 | (EKY00340)        | 16  |      |
| 200     | --              | Label                 |                  | E マ ー ク ラ ベ ル         | O (WK53590)       |     |      |

\*: New Parts

RANK: Japan only



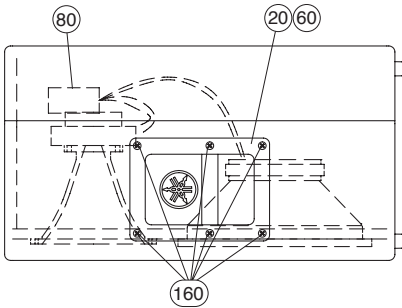
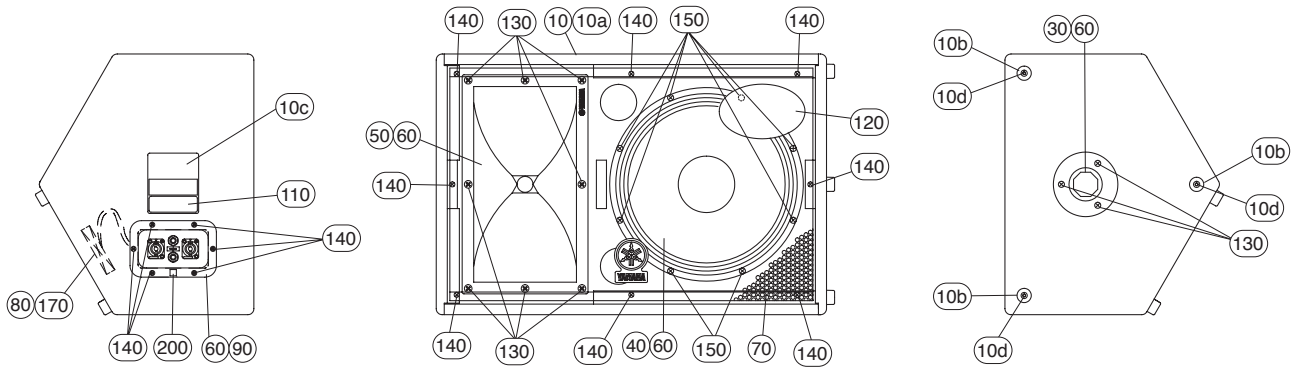
**CLUB Series  
SPEAKER SYSTEM/  
SUBWOOFER**

| REF NO. | PART NO.        | DESCRIPTION           |                    | 部 品 名                 | REMARKS           | QTY | RANK |
|---------|-----------------|-----------------------|--------------------|-----------------------|-------------------|-----|------|
|         |                 | OVERALL ASSEMBLY      |                    | 総 組 立                 | CM10V             |     |      |
|         | --              | Overall Assembly      | PA J               | 総 組 立                 | Y (WJ38700)       |     |      |
|         | --              | Overall Assembly      | PA CHN             | 総 組 立                 | O (WK73640)       |     |      |
| 10      | --              | Cabinet Assembly      |                    | キャビネット A s s ' y      | (WJ38510)         |     |      |
| 10a     | --              | Cabinet               |                    | キャビネット 塗装上り           | (WJ42350)         |     |      |
| * 10b   | <b>WJ352600</b> | Rubber Foot           |                    | ゴ ム 脚                 | (CBY01890)        | 7   |      |
| 10c     | --              | Label                 |                    | 注 意 文 ラ ベ ル           | (WJ35280)         |     |      |
| * 10d   | <b>WJ911300</b> | Pan Head PB Screw     | #10 X 1 BLK        | 鍋 ね じ                 | (EKY01240)        | 7   |      |
| 20      | --              | Handle Assembly       | PA                 | ハ ン ド ル A s s ' y     | (WJ44130)         |     |      |
| * 20a   | <b>WJ441400</b> | Strap Handle Bracket  |                    | ハ ン ド ル ブ ラ ケ ッ ト     | (AAY02120)        | 2   |      |
| * 20b   | <b>WJ441500</b> | Strap Handle          |                    | ス ト ラ ッ プ ハ ン ド ル     | (CBY01900)        |     |      |
| * 20c   | <b>WJ441600</b> | Strap Handle Insert   |                    | ハ ン ド ル イ ン サ ー ト     | (AAY01200)        |     |      |
| * 30    | <b>WJ355400</b> | Pole Socket           | TSM                | ポ ー ル ソ ケ ッ ト         | (CBY03910)        |     |      |
| * 40    | <b>X8455A00</b> | Woofer                | 25 8 125           | ス ピ ー カ               | LF 10" (JAY40400) |     |      |
| * 50    | <b>X8453A00</b> | Tweeter               | 2.5 8              | ス ピ ー カ               | HF (JAY31100)     |     |      |
| * 60    | <b>WJ356500</b> | Gasket                | 9.5                | ガ ス ケ ッ ト             | (CBY01480)        |     |      |
| * 70    | <b>WJ364200</b> | Metal Grille Assembly |                    | メ タ ル グ リ ル A s s ' y | (NBY07470)        |     |      |
| 70a     | --              | Metal Grille          |                    | メ タ ル グ リ ル           | (WJ36650)         |     |      |
| * 70b   | <b>WJ370400</b> | Logo Badge            |                    | ロ ゴ バ ッ ジ             | (CBY05500)        |     |      |
| * 70c   | <b>WJ370500</b> | Push Nut              |                    | プ ッ シ ュ ナ ッ ト         | (AAX52740)        | 2   |      |
| 70d     | --              | Urethane Foam         |                    | ウ レ タ ン フ ォ ー ム       | (WJ36740)         |     |      |
| * 80    | <b>WJ368000</b> | Cross-Over Network    | 10                 | ネ ッ ト ワ ー ク           | (NBY07320)        |     |      |
| * 90    | <b>WJ370600</b> | Input Assembly        | PA 8F87            | イ ン プ ッ ト A s s ' y   | (NBY07360)        |     |      |
| 90a     | --              | Input Panel           |                    | イ ン プ ッ ト パ ネ ル       | (WJ37090)         |     |      |
| * 90b   | <b>WJ371200</b> | Phone Jack            | PA                 | ホ ー ン ジャ ッ ク          | (LBY00150)        | 2   |      |
| * 90c   | <b>WJ371700</b> | Plain Washer          | 3/8inch            | 平 座 金                 | (EWPP0010)        | 2   |      |
| * 90d   | <b>WJ371800</b> | Connector NL4MP       | 4P NL4MP           | コ ネ ク タ N L 4 M P     | (LAY00180)        | 2   |      |
| * 90e   | <b>WJ372000</b> | Hexagonal Nut         | #4-40 NYLOK NUT    | 六 角 ナ ッ ト             | (EKY01540)        | 4   |      |
| * 90f   | <b>WJ372100</b> | FH Machining Screw    | #4-40X3/8 ZN BL    | 皿 ね じ                 | (EFME0630)        | 4   |      |
| 90g     | --              | Decal                 |                    | デ カ ー ル               | (WJ37220)         |     |      |
| 110     | --              | Serial Label          |                    | シ リ アル N O ラ ベ ル      | (WK61010)         |     |      |
| 120     | --              | Pop Label             |                    | ポ ッ プ ラ ベ ル           | (WJ36980)         |     |      |
| * 130   | <b>WJ911300</b> | Pan Head PB Screw     | #10 X 1 BLK        | 鍋 ね じ                 | (EKY01240)        | 3   |      |
| * 140   | <b>WJ493800</b> | TH Sheet Metal Screw  | #6X5/8 BLK         | ト ラ ス タ ッ プ ね じ       | (ETAG1030)        | 18  |      |
| * 150   | <b>WJ911500</b> | Pan Head PB Screw     | PHPBS #8X1 BLK     | 鍋 ね じ                 | (EKY01460)        | 12  |      |
| * 160   | <b>WJ911800</b> | OH Machine Screw      | OHMS#10-32X1-1/4BL | 小 ね じ                 | (EKY01260)        | 2   |      |
| 200     | --              | Label                 |                    | E マ ー ク ラ ベ ル         | O (WK53590)       |     |      |

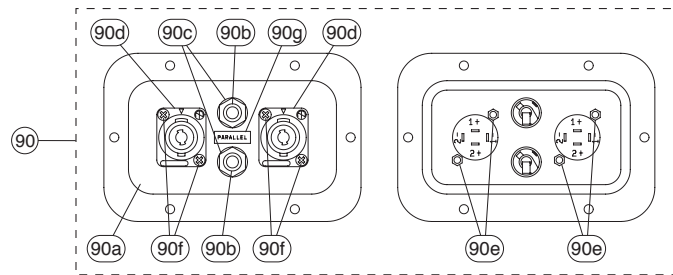
\*: New Parts

RANK: Japan only

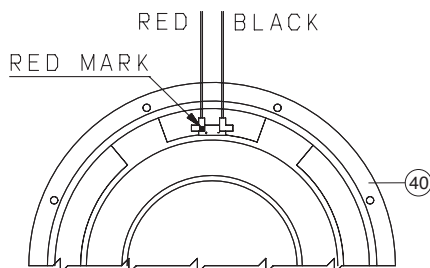
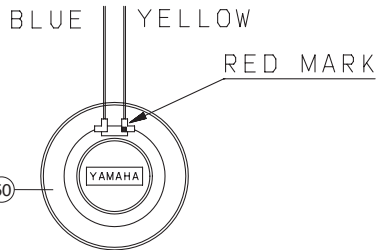
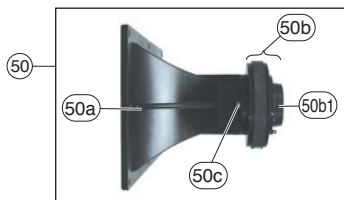
**OVERALL ASSEMBLY (総組立) : CM12V**



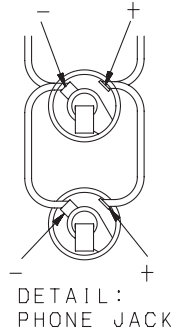
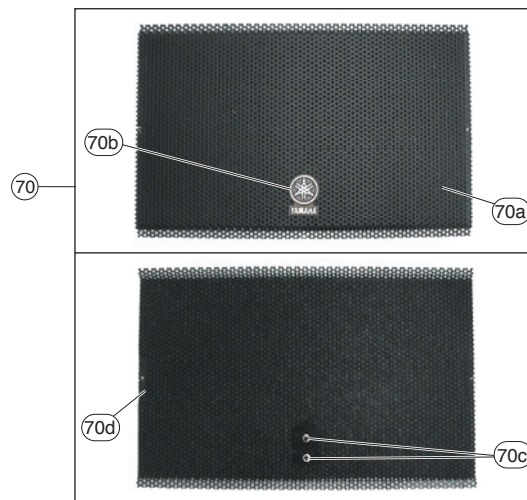
**● Input Assembly**



**● Horn Assembly**

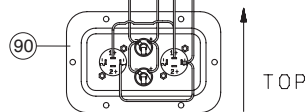


**● Metal Grille Assembly**



FROM CROSSOVER NETWORK

ORANGE (NAKED TERMINAL) +      ORANGE (COVERED TERMINAL) 1+  
 WHITE (NAKED TERMINAL) -      WHITE (COVERED TERMINAL) 1-



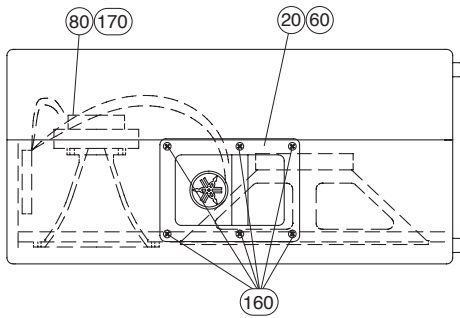
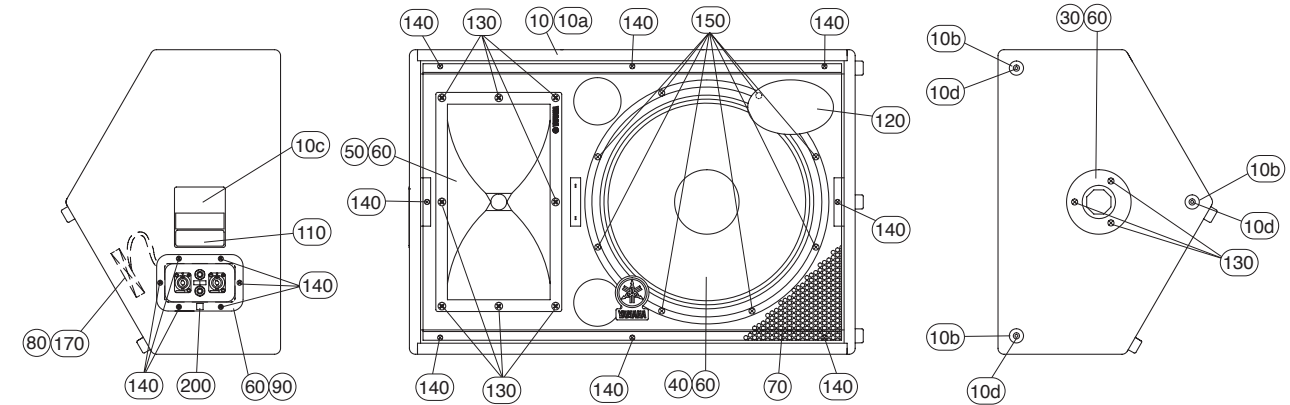
**CLUB Series  
SPEAKER SYSTEM/  
SUBWOOFER**

| REF NO. | PART NO.        | DESCRIPTION           |                  | 部 品 名                 | REMARKS           | QTY | RANK |
|---------|-----------------|-----------------------|------------------|-----------------------|-------------------|-----|------|
|         |                 | OVERALL ASSEMBLY      |                  | 総 組 立                 | CM12V             |     |      |
|         | --              | Overall Assembly      | PA J             | 総 組 立                 | Y (WJ38710)       |     |      |
|         | --              | Overall Assembly      | PA CHN           | 総 組 立                 | O (WK73650)       |     |      |
| 10      | --              | Cabinet Assembly      |                  | キャビネット A s s ' y      | (WJ38520)         |     |      |
| 10a     | --              | Cabinet               |                  | キャビネット 塗装上り           | (WJ42360)         |     |      |
| * 10b   | <b>WJ352600</b> | Rubber Foot           |                  | ゴ ム 脚                 | (CBY01890)        | 7   |      |
| 10c     | --              | Label                 |                  | 注 意 文 ラ ベ ル           | (WJ35280)         |     |      |
| * 10d   | <b>WJ911300</b> | Pan Head PB Screw     | #10 X 1 BLK      | 鍋 ね じ                 | (EKY01240)        | 7   |      |
| * 20    | <b>WJ213700</b> | Metal Handle          |                  | メ タ ル ハ ン ド ル         | (AAY02580)        |     |      |
| * 30    | <b>WJ355400</b> | Pole Socket           | TSM              | ポ ー ル ソ ケ ッ ト         | (CBY03910)        |     |      |
| * 40    | <b>X8456A00</b> | Woofer                | 30 8 175         | ス ピ ー カ               | LF 12" (JAY51200) |     |      |
| * 50    | <b>WJ356400</b> | Horn Assembly         | MIPA 8F87        | ホ ー ン A s s ' y       | (NBY07370)        |     |      |
| * 50a   | <b>WJ356100</b> | Horn                  |                  | ホ ー ン                 | (CBY05490)        |     |      |
| * 50b   | <b>X8454A00</b> | Horn Driver           | 5.0 16           | ス ピ ー カ               | HF (JAY20610)     |     |      |
| * 50b1  | <b>WK235000</b> | Diaphragm Assembly    |                  | ダ イ ヤ フ ラ ム A s s ' y | (NBE20610)        |     | 16   |
| * 50c   | <b>WJ356300</b> | Hex Head Mach Screw   | 1/4 X 5/8 inch T | 歯 付 座 金 付 六 角 ボ ル ト   | (EKY01340)        | 2   |      |
| * 60    | <b>WJ356500</b> | Gasket                | 9.5              | ガ ス ケ ッ ト             | (CBY01480)        |     |      |
| * 70    | <b>WJ364300</b> | Metal Grille Assembly |                  | メ タ ル グ リ ル A s s ' y | (NBY07480)        |     |      |
| 70a     | --              | Metal Grille          |                  | メ タ ル グ リ ル           | (WJ36660)         |     |      |
| * 70b   | <b>WJ370400</b> | Logo Badge            |                  | ロ ゴ バ ッ ジ             | (CBY05500)        |     |      |
| * 70c   | <b>WJ370500</b> | Push Nut              |                  | プ ッ シ ュ ナ ッ ト         | (AAX52740)        | 2   |      |
| 70d     | --              | Urethane Foam         |                  | ウ レ タ ン フ ォ ー ム       | (WJ36710)         |     |      |
| * 80    | <b>WJ367900</b> | Cross-Over Network    | 12               | ネ ッ ト ワ ー ク           | (NBY07310)        |     |      |
| * 90    | <b>WJ370600</b> | Input Assembly        | PA 8F87          | イ ン プ ッ ト A s s ' y   | (NBY07360)        |     |      |
| 90a     | --              | Input Panel           |                  | イ ン プ ッ ト パ ネ ル       | (WJ37090)         |     |      |
| * 90b   | <b>WJ371200</b> | Phone Jack            | PA               | ホ ー ン ジ ャ ッ ク         | (LBY00150)        | 2   |      |
| * 90c   | <b>WJ371700</b> | Plain Washer          | 3/8inch          | 平 座 金                 | (EWPP0010)        | 2   |      |
| * 90d   | <b>WJ371800</b> | Connector NL4MP       | 4P NL4MP         | コ ネ ク タ N L 4 M P     | (LAY00180)        | 2   |      |
| * 90e   | <b>WJ372000</b> | Hexagonal Nut         | #4-40 NYLOK NUT  | 六 角 ナ ッ ト             | (EKY01540)        | 4   |      |
| * 90f   | <b>WJ372100</b> | FH Machining Screw    | #4-40X3/8 ZN BL  | 皿 ね じ                 | (EFME0630)        | 4   |      |
| 90g     | --              | Decal                 |                  | デ カ ー ル               | (WJ37220)         |     |      |
| 110     | --              | Serial Label          |                  | シ リ ア ル N O ラ ベ ル     | (WK61020)         |     |      |
| 120     | --              | Pop Label             |                  | ポ ッ プ ラ ベ ル           | (WJ36990)         |     |      |
| * 130   | <b>WJ911300</b> | Pan Head PB Screw     | #10 X 1 BLK      | 鍋 ね じ                 | (EKY01240)        | 11  |      |
| * 140   | <b>WJ493800</b> | TH Sheet Metal Screw  | #6X5/8 BLK       | ト ラ ス タ ッ プ ね じ       | (ETAG1030)        | 14  |      |
| * 150   | <b>WJ911500</b> | Pan Head PB Screw     | PHPBS #8X1 BLK   | 鍋 ね じ                 | (EKY01460)        | 8   |      |
| * 160   | <b>WJ911600</b> | TH SMS Screw          | #8 X 3/4 BLACK   | ト ラ ス ね じ             | (ETAH1230)        | 6   |      |
| * 170   | <b>WJ911700</b> | Pan Head SM Screw     | PHSMS #6X3/4 BLK | 鍋 ね じ                 | (EPAG1230)        | 4   |      |
| 200     | --              | Label                 |                  | E マ ー ク ラ ベ ル         | O (WK53590)       |     |      |

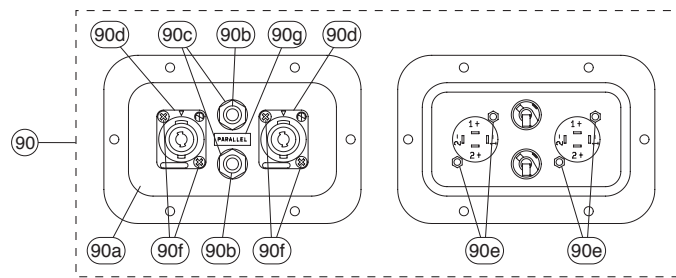
\*: New Parts

RANK: Japan only

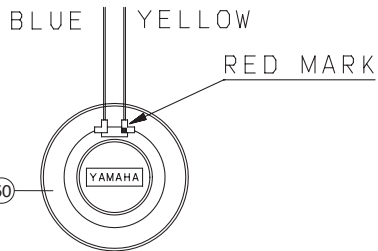
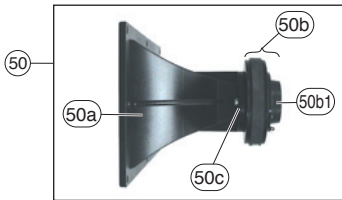
**OVERALL ASSEMBLY (総組立) : CM15V**



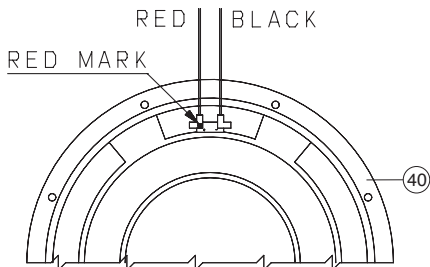
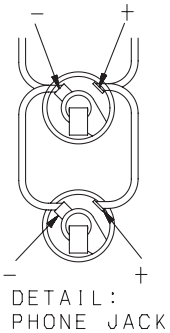
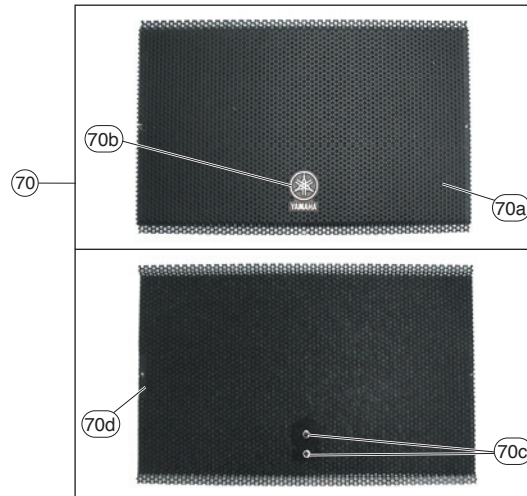
**Input Assembly**



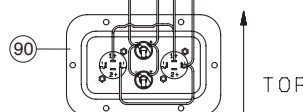
**Horn Assembly**



**Metal Grille Assembly**



FROM CROSSOVER NETWORK  
ORANGE (NAKED TERMINAL) +  
WHITE (NAKED TERMINAL) -  
ORANGE (COVERED TERMINAL) 1+  
WHITE (COVERED TERMINAL) 1-





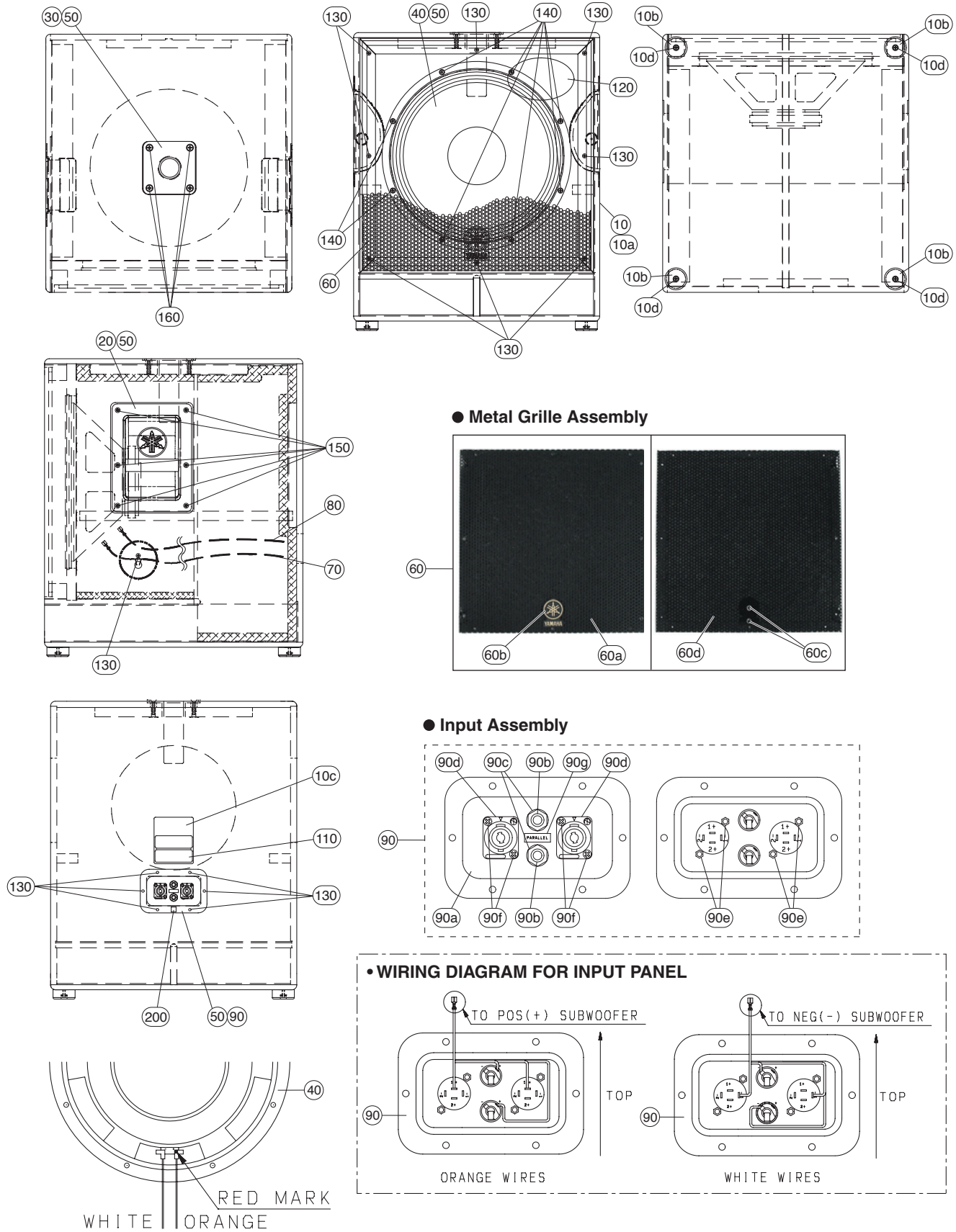
**CLUB Series  
SPEAKER SYSTEM/  
SUBWOOFER**

| REF NO. | PART NO.        | DESCRIPTION           |                  | 部 品 名                 | REMARKS           | QTY | RANK |
|---------|-----------------|-----------------------|------------------|-----------------------|-------------------|-----|------|
|         |                 | OVERALL ASSEMBLY      |                  | 総 組 立                 | CM15V             |     |      |
|         | --              | Overall Assembly      | PA J             | 総 組 立                 | Y (WJ38720)       |     |      |
|         | --              | Overall Assembly      | PA CHN           | 総 組 立                 | O (WK73660)       |     |      |
| 10      | --              | Cabinet Assembly      |                  | キャビネット A s s ' y      | (WJ38530)         |     |      |
| 10a     | --              | Cabinet               |                  | キャビネット 塗装上り           | (WJ42370)         |     |      |
| * 10b   | <b>WJ352600</b> | Rubber Foot           |                  | ゴ ム 脚                 | (CBY01890)        | 7   |      |
| 10c     | --              | Label                 |                  | 注 意 文 ラ ベ ル           | (WJ35280)         |     |      |
| * 10d   | <b>WJ911300</b> | Pan Head PB Screw     | #10 X 1 BLK      | 鍋 ね じ                 | (EKY01240)        | 7   |      |
| * 20    | <b>WJ213700</b> | Metal Handle          |                  | メ タ ル ハ ン ド ル         | (AAY02580)        |     |      |
| * 30    | <b>WJ355400</b> | Pole Socket           | TSM              | ポ ー ル ソ ケ ッ ト         | (CBY03910)        |     |      |
| * 40    | <b>X8974A00</b> | Woofer                | 38 8 250         | ス ピ ー カ               | LF 15" (JAY61300) |     |      |
| * 50    | <b>WJ356400</b> | Horn Assembly         | MIPA 8F87        | ホ ー ン A s s ' y       | (NBY07370)        |     |      |
| * 50a   | <b>WJ356100</b> | Horn                  |                  | ホ ー ン                 | (CBY05490)        |     |      |
| * 50b   | <b>X8454A00</b> | Horn Driver           | 5.0 16           | ス ピ ー カ               | HF (JAY20610)     |     |      |
| * 50b1  | <b>WK235000</b> | Diaphragm Assembly    |                  | ダ イ ヤ フ ラ ム A s s ' y | (NBE20610)        |     | 16   |
| * 50c   | <b>WJ356300</b> | Hex Head Mach Screw   | 1/4 X 5/8 inch T | 歯 付 座 金 付 六 角 ボ ル ト   | (EKY01340)        | 2   |      |
| * 60    | <b>WJ356500</b> | Gasket                | 9.5              | ガ ス ケ ッ ト             | (AAY01480)        |     |      |
| * 70    | <b>WJ364400</b> | Metal Grille Assembly |                  | メ タ ル グ リ ル A s s ' y | (NBY07490)        |     |      |
| 70a     | --              | Metal Grille          |                  | メ タ ル グ リ ル           | (WJ36670)         |     |      |
| * 70b   | <b>WJ370400</b> | Logo Badge            |                  | ロ ゴ バ ッ ジ             | (CBY05500)        |     |      |
| * 70c   | <b>WJ370500</b> | Push Nut              |                  | プ ッ シ ュ ナ ッ ト         | (AAX52740)        | 2   |      |
| 70d     | --              | Urethane Foam         |                  | ウ レ タ ン フ ォ ー ム       | (WJ36720)         |     |      |
| * 80    | <b>WJ367800</b> | Cross-Over Network    | 15               | ネ ッ ト ワ ー ク           | (NBY07300)        |     |      |
| * 90    | <b>WJ370600</b> | Input Assembly        | PA 8F87          | イ ン プ ッ ト A s s ' y   | (NBY07360)        |     |      |
| 90a     | --              | Input Panel           |                  | イ ン プ ッ ト パ ネ ル       | (WJ37090)         |     |      |
| * 90b   | <b>WJ371200</b> | Phone Jack            | PA               | ホ ー ン ジ ャ ッ ク         | (LBY00150)        | 2   |      |
| * 90c   | <b>WJ371700</b> | Plain Washer          | 3/8inch          | 平 座 金                 | (EWPP0010)        | 2   |      |
| * 90d   | <b>WJ371800</b> | Connector NL4MP       | 4P NL4MP         | コ ネ ク タ N L 4 M P     | (LAY00180)        | 2   |      |
| * 90e   | <b>WJ372000</b> | Hexagonal Nut         | #4-40 NYLOK NUT  | 六 角 ナ ッ ト             | (EKY01540)        | 4   |      |
| * 90f   | <b>WJ372100</b> | FH Machining Screw    | #4-40X3/8 ZN BL  | 皿 ね じ                 | (EFME0630)        | 4   |      |
| 90g     | --              | Decal                 |                  | デ カ ー ル               | (WJ37220)         |     |      |
| 110     | --              | Serial Label          |                  | シ リ ア ル N O ラ ベ ル     | (WK61030)         |     |      |
| 120     | --              | Pop Label             |                  | ポ ッ プ ラ ベ ル           | (WJ37000)         |     |      |
| * 130   | <b>WJ911300</b> | Pan Head PB Screw     | #10 X 1 BLK      | 鍋 ね じ                 | (EKY01240)        | 11  |      |
| * 140   | <b>WJ493800</b> | TH Sheet Metal Screw  | #6X5/8 BLK       | ト ラ ス タ ッ プ ね じ       | (ETAG1030)        | 14  |      |
| * 150   | <b>WJ494200</b> | Pan HD Machine Screw  | #10-32X1 BLK     | 鍋 ね じ                 | (EKY01000)        | 8   |      |
| * 160   | <b>WJ911600</b> | TH SMS Screw          | #8 X 3/4 BLACK   | ト ラ ス ね じ             | (ETAH230)         | 6   |      |
| * 170   | <b>WJ911700</b> | Pan Head SM Screw     | PHSMS #6X3/4 BLK | 鍋 ね じ                 | (EPAG1230)        | 4   |      |
| 200     | --              | Label                 |                  | E マ ー ク ラ ベ ル         | O (WK53590)       |     |      |

\*: New Parts

RANK: Japan only

## OVERALL ASSEMBLY (総組立) : CW115V



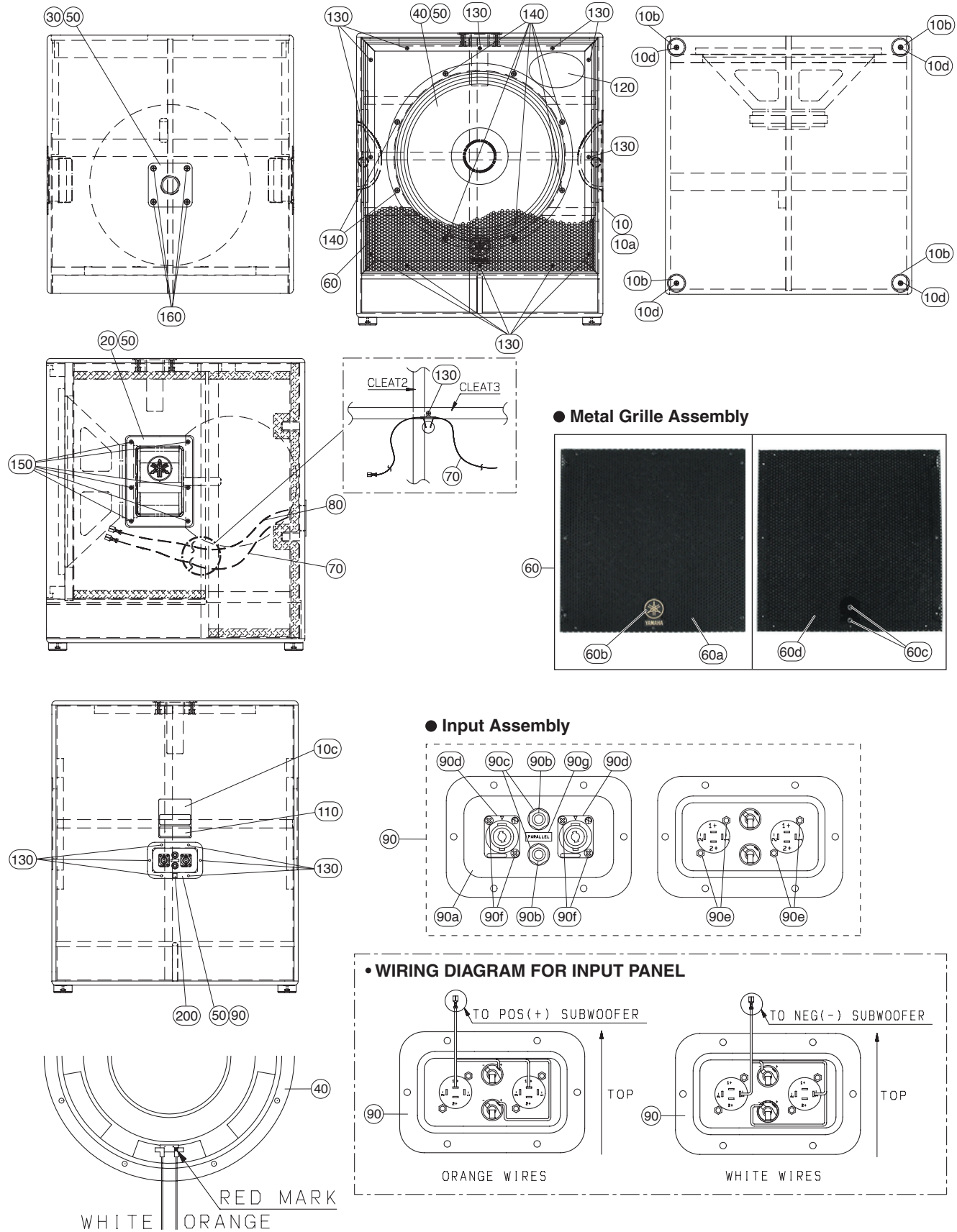
CLUB Series  
SPEAKER SYSTEM/  
SUBWOOFER

| REF NO. | PART NO. | DESCRIPTION           |                 | 部 品 名                 | REMARKS                     | QTY | RANK |
|---------|----------|-----------------------|-----------------|-----------------------|-----------------------------|-----|------|
|         |          | OVERALL ASSEMBLY      |                 | 総 組 立                 | CW115V                      |     |      |
|         | --       | Overall Assembly      | PA J            | 総 組 立                 | Y (WJ38730)                 |     |      |
|         | --       | Overall Assembly      | PA CHN          | 総 組 立                 | O (WK73670)                 |     |      |
| 10      | --       | Cabinet Assembly      |                 | キャビネット A s s ' y      | (WJ38540)                   |     |      |
| 10a     | --       | Cabinet               |                 | キャビネット 塗装 上り          | (WJ42380)                   |     |      |
| * 10b   | WJ352700 | Rubber Foot           |                 | ゴ ム 脚                 | (CBY03890)                  | 4   |      |
| 10c     | --       | Label                 |                 | 注 意 文 ラ ベ ル           | (WJ35280)                   |     |      |
| * 10d   | WJ494200 | Pan Head PB Screw     | #10-32X1 BLK    | 鍋 ね じ                 |                             | 4   |      |
| * 20    | WJ213700 | Metal Handle          |                 | メ タ ル ハ ン ド ル         | (AAY02580)                  | 2   |      |
| * 30    | WJ355700 | Pole Socket           | TOP HAT         | ポ ー ル ソ ケ ッ ト         | (AAY02820)                  |     |      |
| * 40    | X8975A00 | Woofer                | 38 8 250        | ス ピ ー カ               | LF 15" (JAY61600)           |     |      |
| * 50    | WJ356500 | Gasket                | 9.5             | ガ ス ケ ッ ト             | (CBY01480)                  |     |      |
| * 60    | WJ364500 | Metal Grille Assembly |                 | メ タ ル グ リ ル A s s ' y | (NBY07500)                  |     |      |
| 60a     | --       | Metal Grille          |                 | メ タ ル グ リ ル           | (WJ36680)                   |     |      |
| * 60b   | WJ370400 | Logo Badge            |                 | ロ ゴ バ ッ ジ             | (CBY05500)                  |     |      |
| * 60c   | WJ370500 | Push Nut              |                 | プ ッ シ ュ ナ ッ ト         | (AAX52740)                  | 2   |      |
| 60d     | --       | Urethane Foam         |                 | ウ レ タ ン フ ォ ー ム       | (WJ36750)                   |     |      |
| * 70    | WJ419900 | Wire Harness A        |                 | 束 線 A                 | with Poly Switch (MZY01470) |     |      |
| 80      | --       | Wire Harness B        |                 | 束 線 B                 | (WJ42000)                   |     |      |
| * 90    | WJ370600 | Input Assembly        | PA 8F87         | イ ン プ ッ ト A s s ' y   | (NBY07360)                  |     |      |
| 90a     | --       | Input Panel           |                 | イ ン プ ッ ト パ ネ ル       | (WJ37090)                   |     |      |
| * 90b   | WJ371200 | Phone Jack            | PA              | ホ ー ン ジ ャ ッ ク         | (LBY00150)                  | 2   |      |
| * 90c   | WJ371700 | Plain Washer          | 3/8inch         | 平 座 金                 | (EWPP0010)                  | 2   |      |
| * 90d   | WJ371800 | Connector NL4MP       | 4P NL4MP        | コ ネ ク タ N L 4 M P     | (LAY00180)                  | 2   |      |
| * 90e   | WJ372000 | Hexagonal Nut         | #4-40 NYLOK NUT | 六 角 ナ ッ ト             | (EKY01540)                  | 4   |      |
| * 90f   | WJ372100 | FH Machining Screw    | #4-40X3/8 ZN BL | 皿 ね じ                 | (EFME0630)                  | 4   |      |
| 90g     | --       | Decal                 |                 | デ カ ー ル               | (WJ37220)                   |     |      |
| 110     | --       | Serial Label          |                 | シ リ ア ル N O ラ ベ ル     | (WK61040)                   |     |      |
| 120     | --       | Pop Label             |                 | ポ ッ プ ラ ベ ル           | (WJ37010)                   |     |      |
| * 130   | WJ493800 | TH Sheet Metal Screw  | #6X5/8 BLK      | ト ラ ス タ ッ プ ね じ       | (ETAG1030)                  | 15  |      |
| * 140   | WJ624200 | Pan HD Machine Screw  | #10-32X1-1/2    | 鍋 ね じ                 | (EKY00340)                  | 8   |      |
| * 150   | WJ911600 | TH SMS Screw          | #8 X 3/4 BLACK  | ト ラ ス ね じ             | (ETAH1230)                  | 12  |      |
| * 160   | WJ494300 | FLH Machine Screw     | 1/4X1-1/4 BLK   | 皿 ね じ                 | (EFMN2030)                  | 4   |      |
| 200     | --       | Label                 |                 | E マ ー ク ラ ベ ル         | O (WK53590)                 |     |      |

\*: New Parts

RANK: Japan only

## OVERALL ASSEMBLY (総組立) : CW118V



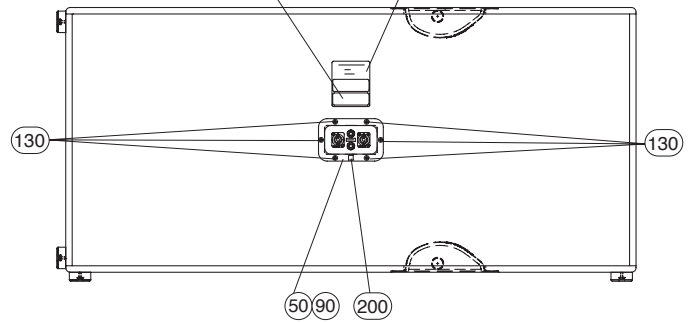
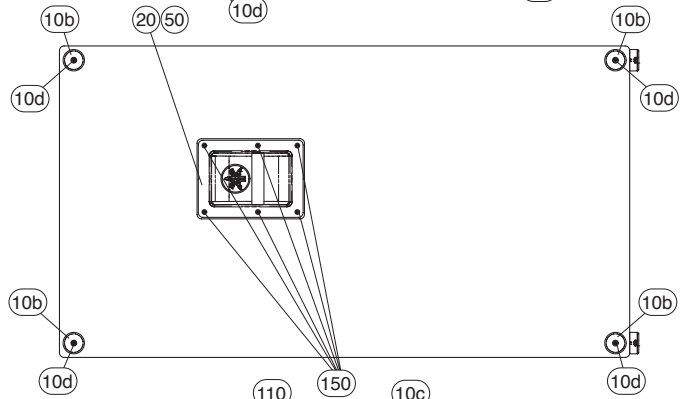
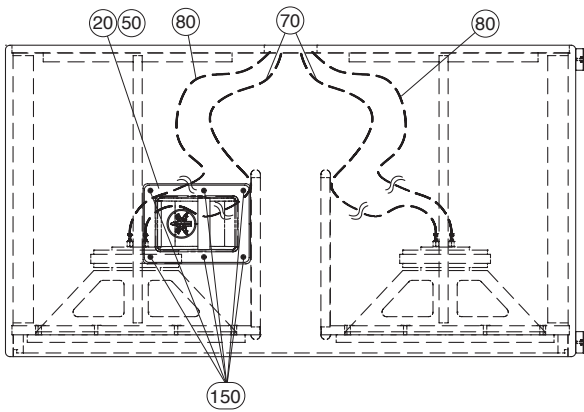
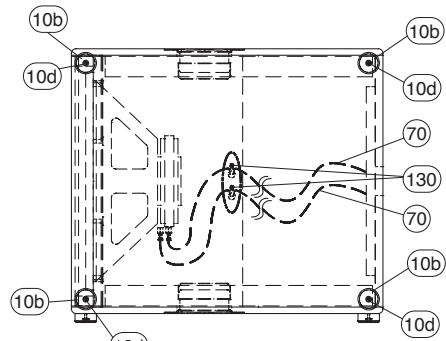
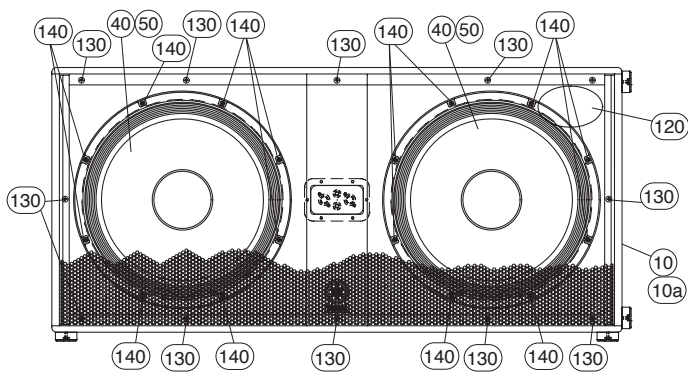
**CLUB Series  
SPEAKER SYSTEM/  
SUBWOOFER**

| REF NO. | PART NO.        | DESCRIPTION           |                 | 部 品 名                 | REMARKS                     | QTY | RANK |
|---------|-----------------|-----------------------|-----------------|-----------------------|-----------------------------|-----|------|
|         |                 | OVERALL ASSEMBLY      |                 | 総 組 立                 | CW118V                      |     |      |
|         | --              | Overall Assembly      | PA J            | 総 組 立                 | Y (WJ38740)                 |     |      |
|         | --              | Overall Assembly      | PA CHN          | 総 組 立                 | O (WK73680)                 |     |      |
| 10      | --              | Cabinet Assembly      |                 | キャビネット A s s ' y      | (WJ38550)                   |     |      |
| 10a     | --              | Cabinet               |                 | キャビネット 塗装 上り          | (WJ42390)                   |     |      |
| * 10b   | <b>WJ352700</b> | Rubber Foot           |                 | ゴ ム 脚                 | (CBY03890)                  | 4   |      |
| 10c     | --              | Label                 |                 | 注 意 文 ラ ベ ル           | (WJ35280)                   |     |      |
| * 10d   | <b>WJ494200</b> | Pan Head PB Screw     | #10-32X1 BLK    | 鍋 ね じ                 | (EKY01000)                  | 4   |      |
| * 20    | <b>WJ213700</b> | Metal Handle          | 8F87            | メ タ ル ハ ン ド ル         | (AAY02580)                  | 2   |      |
| * 30    | <b>WJ355700</b> | Pole Socket           | TOP HAT         | ポ ー ル ソ ケ ッ ト         | (AAY02820)                  |     |      |
| * 40    | <b>X8976A00</b> | Woofer                | 45 8 300        | ス ピ ー カ               | LF 18" (JAY70100)           |     |      |
| * 50    | <b>WJ356500</b> | Gasket                | 9.5             | ガ ス ケ ッ ト             | (CBY01480)                  |     |      |
| * 60    | <b>WJ364600</b> | Metal Grille Assembly |                 | メ タ ル グ リ ル A s s ' y | (NBY07510)                  |     |      |
| 60a     | --              | Metal Grille          |                 | メ タ ル グ リ ル           | (WJ36690)                   |     |      |
| * 60b   | <b>WJ370400</b> | Logo Badge            |                 | ロ ゴ バ ッ ジ             | (CBY05500)                  |     |      |
| * 60c   | <b>WJ370500</b> | Push Nut              |                 | プ ッ シ ュ ナ ッ ト         | (AAX52740)                  | 2   |      |
| 60d     | --              | Urethane Foam         |                 | ウ レ タ ン フ ォ ー ム       | (WJ36760)                   |     |      |
| * 70    | <b>WJ419900</b> | Wire Harness A        |                 | 束 線 A                 | with Poly Switch (MZY01470) |     |      |
| 80      | --              | Wire Harness B        |                 | 束 線 B                 | (WJ42000)                   |     |      |
| * 90    | <b>WJ370600</b> | Input Assembly        | PA 8F87         | イ ン プ ッ ト A s s ' y   | (NBY07360)                  |     |      |
| 90a     | --              | Input Panel           |                 | イ ン プ ッ ト パ ネ ル       | (WJ37090)                   |     |      |
| * 90b   | <b>WJ371200</b> | Phone Jack            | PA              | ホ ー ン ジ ャ ッ ク         | (LBY00150)                  | 2   |      |
| * 90c   | <b>WJ371700</b> | Plain Washer          | 3/8inch         | 平 座 金                 | (EWPP0010)                  | 2   |      |
| * 90d   | <b>WJ371800</b> | Connector NL4MP       | 4P NL4MP        | コ ネ ク タ N L 4 M P     | (LAY00180)                  | 2   |      |
| * 90e   | <b>WJ372000</b> | Hexagonal Nut         | #4-40 NYLOK NUT | 六 角 ナ ッ ト             | (EKY01540)                  | 4   |      |
| * 90f   | <b>WJ372100</b> | FH Machining Screw    | #4-40X3/8 ZN BL | 皿 ね じ                 | (EFME0630)                  | 4   |      |
| 90g     | --              | Decal                 |                 | デ カ ー ル               | (WJ37220)                   |     |      |
| 110     | --              | Serial Label          |                 | シ リ ア ル N O ラ ベ ル     | (WK61050)                   |     |      |
| 120     | --              | Pop Label             |                 | ポ ッ プ ラ ベ ル           | (WJ37020)                   |     |      |
| * 130   | <b>WJ493800</b> | TH Sheet Metal Screw  | #6X5/8 BLK      | ト ラ ス タ ッ プ ね じ       | (ETAG1030)                  | 19  |      |
| * 140   | <b>WJ624200</b> | Pan HD Machine Screw  | #10-32X1-1/2    | 鍋 ね じ                 | (EKY00340)                  | 8   |      |
| * 150   | <b>WJ911600</b> | TH SMS Screw          | #8 X 3/4 BLACK  | ト ラ ス ね じ             | (ETAH1230)                  | 12  |      |
| * 160   | <b>WJ494300</b> | FLH Machine Screw     | 1/4X1-1/4 BLK   | 皿 ね じ                 | (EFMN2030)                  | 4   |      |
| 200     | --              | Label                 |                 | E マ ー ク ラ ベ ル         | O (WK53590)                 |     |      |

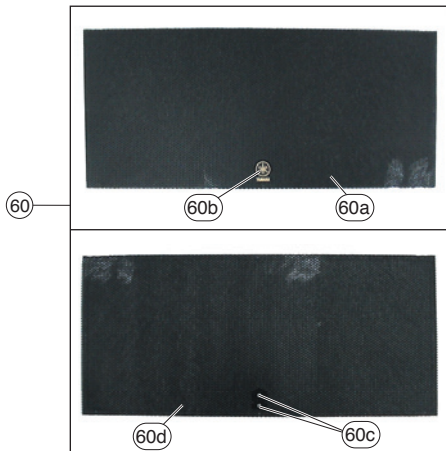
\*: New Parts

RANK: Japan only

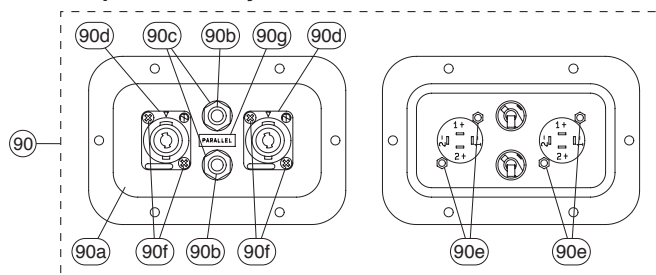
## OVERALL ASSEMBLY (総組立) : CW218V



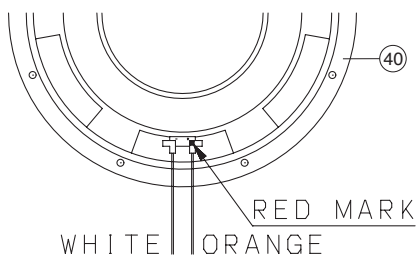
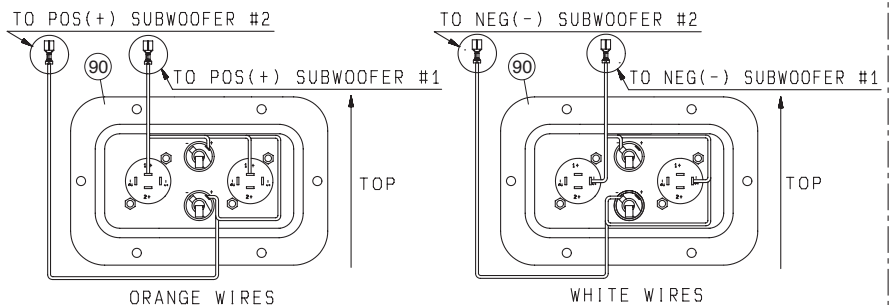
### ● Metal Grille Assembly



### ● Input Assembly



### ● WIRING DIAGRAM FOR INPUT PANEL



**CLUB Series  
SPEAKER SYSTEM/  
SUBWOOFER**

| REF NO. | PART NO.        | DESCRIPTION           |                 | 部 品 名               | REMARKS                     | QTY | RANK |
|---------|-----------------|-----------------------|-----------------|---------------------|-----------------------------|-----|------|
|         |                 | OVERALL ASSEMBLY      |                 | 総 組 立               | CW218V                      |     |      |
|         | --              | Overall Assembly      | PA J            | 総 組 立               | Y (WJ38750)                 |     |      |
|         | --              | Overall Assembly      | PA CHN          | 総 組 立               | O (WK73690)                 |     |      |
| 10      | --              | Cabinet Assembly      |                 | キャビネット A s s ' y    | (WJ38560)                   |     |      |
| 10a     | --              | Cabinet               |                 | キャビネット 塗装 上り        | (WJ42400)                   |     |      |
| * 10b   | <b>WJ352700</b> | Rubber Foot           |                 | ゴ ム 脚               | (CBY03890)                  | 8   |      |
| 10c     | --              | Label                 |                 | 注 意 文 ラ ベ ル         | (WJ35280)                   |     |      |
| * 10d   | <b>WJ911300</b> | Pan Head PB Screw     | #10 X 1 BLK     | 鍋 ね じ               | (EKY01240)                  | 8   |      |
| * 20    | <b>WJ213700</b> | Metal Handle          |                 | メ タ ル ハ ン ド ル       | (AAY02580)                  | 2   |      |
| * 40    | <b>X8976A00</b> | Woofers               | 45 8 300        | ス ピ ー カ             | LF 18" (JAY70100)           | 2   |      |
| * 50    | <b>WJ356500</b> | Gasket                | 9.5             | ガ ス ケ ッ ト           | (CBY01480)                  |     |      |
| * 60    | <b>WJ364700</b> | Metal Grille Assembly |                 | メタルグリル A s s ' y    | (NBY07520)                  |     |      |
| 60a     | --              | Metal Grille          |                 | メ タ ル グ リ ル         | (WJ36700)                   |     |      |
| * 60b   | <b>WJ370400</b> | Logo Badge            |                 | ロ ゴ バ ッ ジ           | (CBY05500)                  |     |      |
| * 60c   | <b>WJ370500</b> | Push Nut              |                 | プ ッ シ ュ ナ ッ ト       | (AAX52740)                  | 2   |      |
| 60d     | --              | Urethane Foam         |                 | ウ レ タ ン フ ォ ー ム     | (WJ36770)                   |     |      |
| * 70    | <b>WJ500200</b> | Wire Harness A        |                 | 束 線 A               | with Poly Switch (MZY01500) |     |      |
| 80      | --              | Wire Harness B        |                 | 束 線 B               | (WJ50030)                   |     |      |
| * 90    | <b>WJ370600</b> | Input Assembly        | PA 8F87         | イ ン プ ッ ト A s s ' y | (NBY07360)                  |     |      |
| 90a     | --              | Input Panel           |                 | イ ン プ ッ ト パ ネ ル     | (WJ37090)                   |     |      |
| * 90b   | <b>WJ371200</b> | Phone Jack            | PA              | ホ ー ン ジ ャ ッ ク       | (LBY00150)                  | 2   |      |
| * 90c   | <b>WJ371700</b> | Plain Washer          | 3/8inch         | 平 座 金               | (EWPP0010)                  | 2   |      |
| * 90d   | <b>WJ371800</b> | Connector NL4MP       | 4P NL4MP        | コ ネ ク タ N L 4 M P   | (LAY00180)                  | 2   |      |
| * 90e   | <b>WJ372000</b> | Hexagonal Nut         | #4-40 NYLOK NUT | 六 角 ナ ッ ト           | (EKY01540)                  | 4   |      |
| * 90f   | <b>WJ372100</b> | FH Machining Screw    | #4-40X3/8 ZN BL | 皿 ね じ               | (EFME0630)                  | 4   |      |
| 90g     | --              | Decal                 |                 | デ カ ー ル             | (WJ37220)                   |     |      |
| 110     | --              | Serial Label          |                 | シ リ ア ル N O ラ ベ ル   | (WK61060)                   |     |      |
| 120     | --              | Pop Label             |                 | ポ ッ プ ラ ベ ル         | (WJ37030)                   |     |      |
| * 130   | <b>WJ493800</b> | TH Sheet Metal Screw  | #6X5/8 BLK      | ト ラ ス タ ッ プ ね じ     | (ETAG1030)                  | 20  |      |
| * 140   | <b>WJ624200</b> | Pan HD Machine Screw  | #10-32X1-1/2    | 鍋 ね じ               | (EKY00340)                  | 16  |      |
| * 150   | <b>WJ911600</b> | TH SMS Screw          | #8 X 3/4 BLACK  | ト ラ ス ね じ           | (ETAH1230)                  | 12  |      |
| 200     | --              | Label                 |                 | E マ ー ク ラ ベ ル       | O (WK53590)                 |     |      |

\*: New Parts

RANK: Japan only